

# PARTS LIST

[GY-HM170U,GY-HM170E,GY-HM200U,GY-HM200E]

\* SAFETY PRECAUTION

Parts identified by the ! symbol are critical for safety. Replace only with specified part numbers.

\* BEWARE OF BOGUS PARTS

Parts that do not meet specifications may cause trouble in regard to safety and performance. We recommend that genuine JVC parts be used.

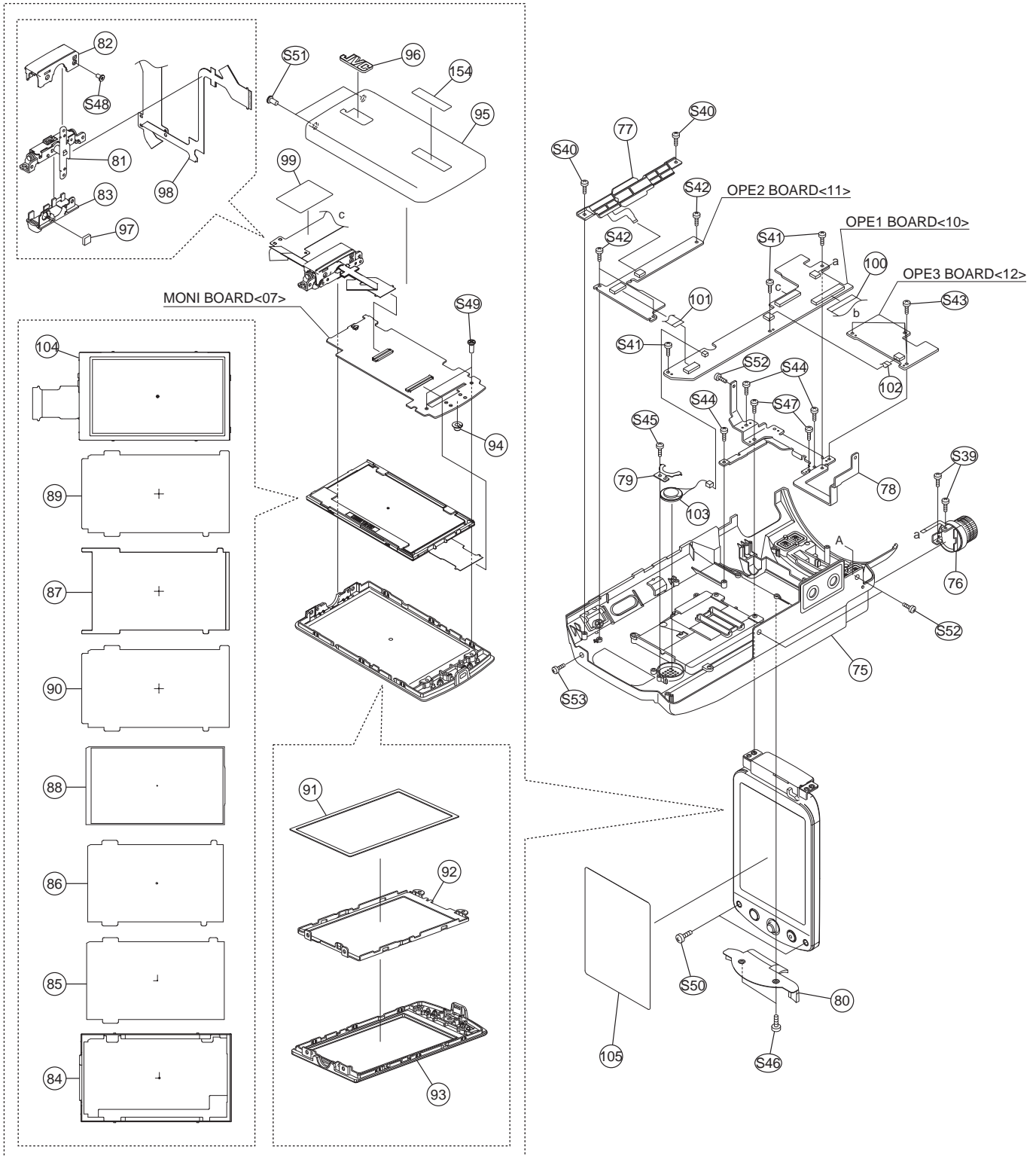
\* (x\_) in a description column shows the number of the used part.

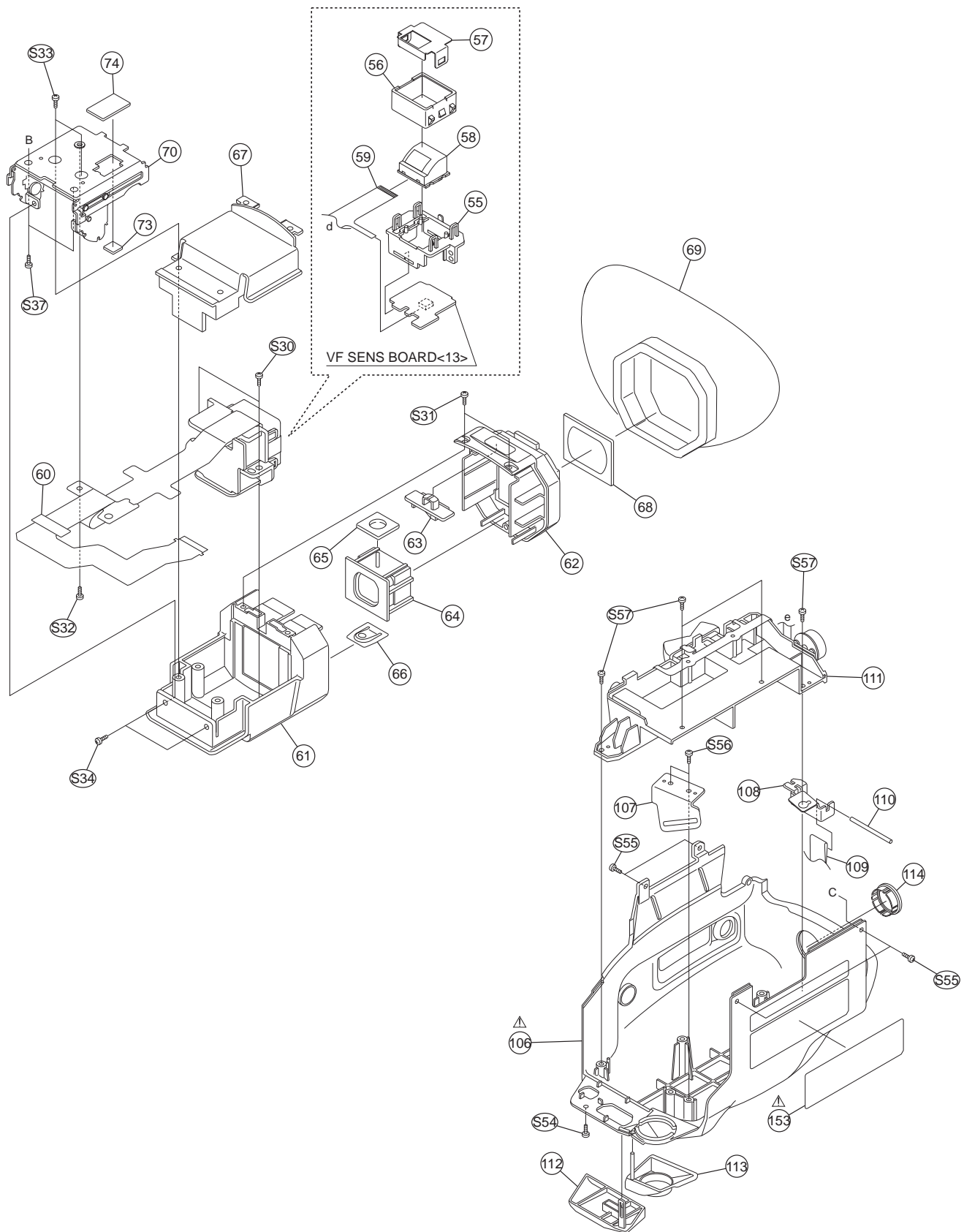
- Contents -

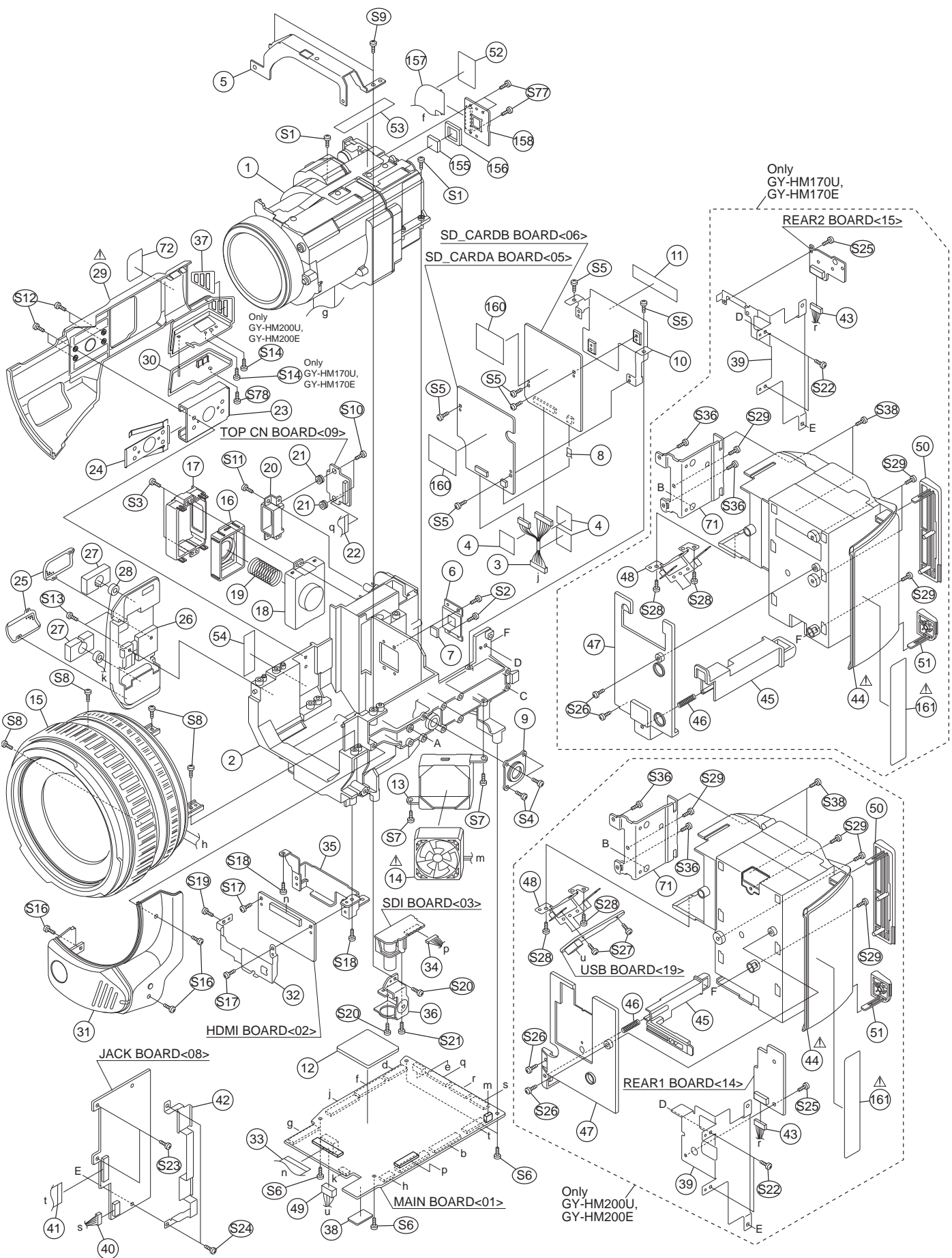
Exploded view of general assembly and parts list .....	3-2
Electrical parts list .....	3-9
Packing materials and accessories parts list .....	3-25

# Exploded view of general assembly and parts list

Block No.M1MM









# General assembly

Block No. [M][1][M][M]

△ Symbol No.	Part No.	Part Name	Description	Local
1	MV6-0025-00	OP BLOCK ASSEMBLY		
2	A1F-0002-00	CENTER FRAME		
3	E3K-0060-00	S WIRE ASSEMBLY	FOR SD B SLOT	
4	F1C-0047-00	SHIELDING SHEET	For EMC(wire)(x3)	
5	J2B-0084-00	BRACKET		
6	F0C-0010-00	HEAT SINK		
7	LS42346-001A-H	HEAT SHEET		
8	QUQS05-0603AA-E	FFC WIRE	FFC_SDA-SDB	
9	LY37565-001A	BASE(TRIPOD)		
10	J2B-0085-00	BRACKET		
11	G1G-0009-00	SHEET	EMC	
12	LS32350-001A	C. SHEET (M1)		
13	J1K-0190-00	FAN HOLDER		
△ 14	QAR0565-001	FAN MOTOR(J)		
15	D1E-0001-10	CLUTCH ASSEMBLY	FOCUS/ZOOM RING	
16	A5D-0001-00	DUST COVER	LIFTER	
17	J9A-0002-00	GUIDE	LIFTER_GUIDE	
18	J0K-0009-00	HOLDER	SPRING HOLDER	
19	G0A-0008-00	COIL SPRING	SPRING	
20	F0G-0041-10	COVER	BODY_COVER	
21	G1D-0052-00	CUSHION	BUSH(x2)	
22	QUQS05-2411AA-E	FFC WIRE	FOR TOP CON	
23	J2B-0079-10	BRACKET	SHOE	
24	J2B-0080-00	BRACKET	SPRING(SHOE)	
25	B0E-0002-00	PUNCHING METAL	(x2)	
26	F0K-0057-00	MICROPHONE CASE		
27	G1A-0016-00	CUSHION	(x2)	
△ 29	A2B-0027-00	TOP CABINET		
30	F0G-0063-00	J.COVER(USB)	USB COVER	HM170U, HM170E
30	F0G-0062-00	J.COVER(USB)	USB COVER	HM200U, HM200E
31	A2B-0025-00	FRONT COVER ASSEMBLY		
32	J2B-0063-00	BRACKET	BASE BKT	
33	J8P-0004-00	FLEX P.BOARD	FOR HDMI PWB	
34	E3K-0061-00	S WIRE ASSEMBLY	FOR SDI_SD SLOT	HM200U, HM200E
35	J2B-0064-00	BRACKET	HDMI BKT	
36	J2B-0065-00	BRACKET	SDI BKT	
37	B1B-0036-00	FILTER	FILTER TOPCABI	
38	G1G-0021-00	SHEET		
39	J2B-0076-10	BRACKET	BKT JACK	HM170U, HM170E
39	J2B-0073-10	BRACKET	BKT JACK	HM200U, HM200E
40	E3K-0058-00	WIRE ASSEMBLY	WIRE JACK-MAIN	
41	QUQS05-2606BA-E	FFC WIRE	FFC JACK-MAIN	
42	J2B-0074-00	BRACKET	BKT DCIN	
43	E3K-0059-00	WIRE ASSEMBLY	WIRE_REAR-MAIN	
△ 44	F0G-0050-00	REAR BASE COVER	REAR_BASE	HM170U, HM170E
△ 44	F0G-0047-00	REAR BASE COVER	REAR_BASE	HM200U, HM200E
45	K2E-0017-00	PUSH KNOB	BATTERYRELEASE	HM170U, HM170E
45	K2E-0016-00	PUSH KNOB	BATTERYRELEASE	HM200U, HM200E
46	LY30002-077A	COMPRESSION SPRING	SPRING	
47	J0K-0011-00	HOLDER	HOLDER	HM170U, HM170E
47	J0K-0010-00	HOLDER	HOLDER	HM200U, HM200E
48	J2B-0077-00	BRACKET	BKT_USB	
49	WJN0352-001A-E	WIRE	WIRE_USB-MAIN	HM200U, HM200E
50	F0G-0048-00	COVER	COVER(AVOUT)	
51	F0G-0049-00	J.COVER(DC)	COVER(DCIN)	
52	F1C-0047-00	SHIELDING SHEET	For EMC(CMOS FPC)	
53	G1G-0009-00	SHEET	For J2Y	
54	PRD44925	LABEL		
55	J0K-0012-00	HOLDER	LCOS HOLDER	
56	F1C-0023-00	LCD CASE	LCOS COVER	
57	J2B-0083-00	BRACKET	LCOS BKT	
58	QLD0744-001	LCD MODULE	LCOS MODULE	
59	E3F-0075-00	FPC ASSEMBLY	FPC_VF-MAIN	
60	L9C-0026-00	CLAMP FILTER	For EMC(FPC VF)	
61	F0G-0051-00	VF COVER	VF CASE	
62	F0G-0053-00	VF COVER	VF FRONT CASE	
63	K2H-0003-00	SLIDE KNOB	KNOB	
64	T6A-0027-00	LENS ASSEMBLY	LENS ASSY	
65	G1D-0059-00	CUSHION	CUSHION	
66	LW40857-001A-H	SPRING PLATE	SPRING	
67	F0G-0052-00	VF COVER	VF BOTTOM CASE	
68	F0K-0066-00	DUST COVER	SHEET PROTECT	
69	F0G-0075-00	EYE CAP	EYE CUP	
70	J5A-0001-10	HINGE	HINGE ASSY	
71	J2B-0118-00	BRACKET	BRACKET(HINGE)	
72	LY36896-001A	CAUTION LABEL	LABEL	
73	QQR1922-001	P.C.MAGNET	MAGNET	
74	G1G-0021-00	SHEET	MAGNET_SH	

△ Symbol No.	Part No.	Part Name	Description	Local
75	F0G-0054-00	COVER ASSEMBLY	R COVER AY	
76	D1E-0002-00	ROLLER ASSEMBLY	IRIS UNIT	
77	D1A-0011-00	SLIDER ASSEMBLY	POWER SW UNIT	
78	J2B-0078-00	BRACKET	R SIDE BKT	
79	LY37246-001B	BRACKET(SPK)		
80	F0G-0056-00	COVER	COVER JOINT	
81	LY22233-001E	HINGE UNIT		
82	LY37904-004A	HINGE COVER(U)		
83	F0G-0057-00	HINGE COVER	HINGE COVER(L)	
84	LY22231-001A	LCD CASE(C)		
85	LY37710-001A	SHEET(REF)	SHEET(REF)	
86	LY38031-001A	SHEET(CLEAR)	SHEET(CLEAR)	
87	LY37708-001A	SHEET(PRISM)	SHEET(PRISM)	
88	LY37713-001B	LIGHT GUIDE	LIGHT GUIDE	
89	LY37709-001A	SHEET(DIFF)	SHEET(DIFF)	
90	LY37709-002A	SHEET(DIFF)	SHEET(DIFF)	
91	LY37711-002A	SPACER(LCD)		
92	J2B-0072-00	BRACKET	BKT(LCD) C	
93	A0C-0085-00	MONI.CASE ASSEMBLY	MONI CASE AY	
94	LS42901-001A	KNOB CURSOL		
95	A0C-0087-00	MONI.COVER	MONI COVER	
96	LY45428-001A	JVC MARK	for MONI COVER	
97	QQR1922-001	P.C.MAGNET		
98	J8P-0003-00	FLEX P.BOARD	for MONI-OPE1	
99	F1C-0047-00	SHIELDING SHEET	for EMC(FPC)	
100	J8P-0005-00	FLEX P.BOARD	for OPE1-MAIN	
101	QUQS05-1406AA-E	FFC WIRE	for OPE1-OPE2	
102	QUQS05-0809AA-E	FFC WIRE	for OPE1-OPE3	
103	QAS0628-001	SPEAKER		
104	QLD0684-001	LCD MODULE		
105	H2B-0021-00	PROTECT SHEET	PROTECT SHEET	
△ 106	F0G-0058-00	L SIDE COVER	L SIDE COVER	
107	J2B-0070-00	BRACKET	BKT FRONT	
108	J2B-0071-00	BRACKET	BKT FRONT2	
109	LY22015-001B	GRIP BELT	GRIP BELT	
110	LY37148-001A	SHAFT(G.B)	SHAFT	
111	D1A-0010-00	LEVER ASSEMBLY	OPE UNIT	
112	F0G-0059-00	COVER	HDMI COVER	
113	F0G-0061-00	COVER	COVER SDI	HM170U, HM170E
114	F0G-0060-00	COVER	SDI COVER	HM200U, HM200E
115	B0K-0028-00	CAP	HOLE CAP	
116	K0B-0003-10	HANDLE		HM200U, HM200E
117	F0G-0064-10	COVER ASSEMBLY		HM200U, HM200E
118	LS32292-001A	INPUT SELECT		HM200U, HM200E
119	F0G-0066-00	HANDLE COVER	HANDLE COVER R	HM200U, HM200E
120	F0G-0067-00	HANDLE COVER	HANDLE COVER B	HM200U, HM200E
121	J1K-0159-00	CABLE HOLDER	CABLE_GUIDE	HM200U, HM200E
122	J2B-0081-00	BRACKET	SHOE_PLATE	HM200U, HM200E
123	D2B-0006-00	SHAFT	LOCK SCREW	HM200U, HM200E
124	LY45792-001A	SPRING(LOCK)		HM200U, HM200E
125	F0G-0068-00	HANDLE COVER	HANDLE_COVER_F	HM200U, HM200E
126	LY45428-001A	JVC MARK		HM200U, HM200E
127	F0G-0069-00	HANDLE COVER	COVER_XLR	HM200U, HM200E
128	LS32302-001A	GND BRACKET		HM200U, HM200E
129	QYNTS3000NA	NUT	M3(x2)	HM200U, HM200E
130	LY36899-001A	CABLE HOLDER		HM200U, HM200E
131	LY36869-001A	CABLE HOLDER 2		HM200U, HM200E
132	F0G-0070-00	HANDLE COVER	COVER_AU	HM200U, HM200E
133	LY36902-001B	SLIDE KNOB-1	(x6)	HM200U, HM200E
134	K2D-0003-00	KNOB	VR_KNOB(x2)	HM200U, HM200E
135	A5F-0003-00	DOOR	AU_WINDOW	HM200U, HM200E
136	D2B-0005-00	SHAFT	SHAFT(x2)	HM200U, HM200E
137	G0K-0006-00	SPRING PLATE	SPRING_PLATE	HM200U, HM200E
138	G0A-0007-00	COIL SPRING	TOR. SPRING	HM200U, HM200E
139	J2B-0082-00	BRACKET	ZOOM_BRACKET	HM200U, HM200E
140	LW30578-002B	HOLDER COVER		HM200U, HM200E
141	LW30577-002B	HOLDER BASE		HM200U, HM200E
142	LY46298-001A	GEL(MIC)	(x2)	HM200U, HM200E
143	LY46298-002A	GEL(MIC)	(x2)	HM200U, HM200E
144	LW40683-001A-H	C WASHET		HM200U, HM200E
145	LW40842-001A-H	CUSHION		HM200U, HM200E
146	LW40890-002A-H	SPACER	(x2)	HM200U, HM200E
147	LW40924-001A-H	MH CUSHION	(x2)	HM200U, HM200E
148	LS42863-001A	M.HOLDER PLATE		HM200U, HM200E
149	QYPRE2014	SPRING PIN	M2 x 14mm(x2)	HM200U, HM200E
150	E3K-0038-00	S WIRE ASSEMBLY		HM200U, HM200E
151	E3K-0056-00	WIRE ASSEMBLY		HM200U, HM200E
152	QUQS05-0603AA-E	FFC WIRE	6pin 3cm	HM200U, HM200E
153	QUQS05-1005AA-E	FFC WIRE	10pin 5cm	HM200U, HM200E
△ 153	-----	NAME PLATE	for GY-HM170UH	HM170U
△ 153	-----	NAME PLATE	for GY-HM170EH	HM170E
△ 153	-----	NAME PLATE	for GY-HM200UH	HM200U
△ 153	-----	NAME PLATE	for GY-HM200EH	HM200E
154	B4D-0023-10	BADGE	4K BADGE without C	

△ Symbol No.	Part No.	Part Name	Description	Local
155	T6C-0007-00	IR FILTER		
156	F0K-0059-00	SHEET		
157	J8P-0001-00	FLEX P.BOARD		
158	CACG1301A	CMOS UNIT		
159	LY36858-001A	SHOE ASSEMBLY(2)		HM200U, HM200E
160	F1C-0047-00	SHIELDING SHEET	(x2)	
△ 161	SS411707-001	FCC LABEL		HM170U, HM200U
△ 162	LY45793-001A	CAUTION LABEL		HM200U
S 1	LY30031-029A	SPECIAL SCREW	J2Y(x3)	
S 2	QYSPSPU2040MA	SCREW	M2 x 4mm(x2)	
S 3	QYSPSPU2040MA	SCREW	M2 x 4mm(x2)	
S 4	LY30031-029A	SPECIAL SCREW	(x3)	
S 5	QYSPSPU2040MA	SCREW	M2 x 4mm(x6)	
S 6	QYSPSPU2040MA	SCREW	MAIN PWB(x4)	
S 7	LY30031-029A	SPECIAL SCREW	(x2)	
S 8	LY30031-029A	SPECIAL SCREW	(x4)	
S 9	LY30031-029A	SPECIAL SCREW	For LENS BKT(x2)	
S10	LY30032-021A	SPECIAL SCREW	(x2)	
S11	QYSPSPU2040MA	SCREW	M2 x 4mm	
S12	LY30031-029A	SPECIAL SCREW	(x4)	
S13	QYSPSPU2040MA	SCREW	M2 x 4mm(x2)	
S14	QYSPSPU2040MA	SCREW	For BKT USB	
S16	QYSPSPU2040MA	SCREW	FOR FRONT COVER(x3)	
S17	QYSPSPU2040MA	SCREW	FOR BASE(x2)	
S18	QYSPSPU2040MA	SCREW	FOR HDMI BKT(x2)	
S19	QYSPSPU2040MA	SCREW	FOR HDMI PB	
S20	QYSPSPU2040MA	SCREW	FOR HDMI BKT(x2)	
S21	QYSPSF3008DA	TAP SCREW	FOR SDI BNC	HM200U, HM200E
S22	QYSPSPU2040MA	SCREW	CENTER-BKT(x2)	
S23	QYSPSPU2040MA	SCREW	CENTER-JACKPB(x2)	
S24	QYSPSPU2040MA	SCREW	JACKPB-BKT(x2)	
S25	QYSPSPU2040MA	SCREW	BKT-REARPB	
S26	QYSPSGU2040MA	TAP SCREW	REAR-HOLDER(x2)	
S27	QYSPSPU2040MA	SCREW	USBPB-BKT(x2)	HM200U, HM200E
S28	QYSPSGU2040MA	TAP SCREW	REAR-BKT(x2)	
S29	QYSPSPU2060MA	SCREW	BATT_CENTER-REAR(x4)	
S30	QYSPSGU2040MA	TAP SCREW	CASE-LCOS(x2)	
S31	QYSPSGU2040MA	TAP SCREW	CASE(x2)	
S32	QYSPSPU2040MA	SCREW	HINGE-FPC	
S33	QYSPSGU2040MA	TAP SCREW	HINGE-VF(x2)	
S34	QYSPSPU2040MA	SCREW	HINGE-VF(x2)	
S36	QYSPSPU2060MA	SCREW	HINGE-CENTER(x2)	
S37	LY30031-029A	SPECIAL SCREW	HINGE-BKT(x2)	
S38	QYSPSPU2040MA	SCREW	BRKT-REAR(x2)	
S39	QYSPSGU2040MA	TAP SCREW	for ROLLER ASSY(x2)	
S40	QYSPSGU2040MA	TAP SCREW	for SLIDER ASSY(x2)	
S41	QYSPSGU2040MA	TAP SCREW	for OPE1 PWB(x3)	
S42	QYSPSGU2040MA	TAP SCREW	for OPE2 PWB(x3)	
S43	QYSPSGU2040MA	TAP SCREW	for OPE3 PWB(x3)	
S44	QYSPSGU2040MA	TAP SCREW	for R SIDE BKT(x3)	
S45	LY30031-025A	SPECIAL SCREW	for BKT(SPK)	
S46	LY30031-025A	SPECIAL SCREW	for COVER joint(x2)	
S47	LY30031-029A	SPECIAL SCREW	for HINGE UNIT(x2)	
S48	LY30031-0R6A	SPECIAL SCREW	for HINGE COVER	
S49	LY30031-025A	SPECIAL SCREW	for MONI PWB(x2)	
S50	LY30031-025A	SPECIAL SCREW	for MONI COVER(x2)	
S51	LY30031-029A	SPECIAL SCREW	for MONI COVER(x2)	
S52	QYSPSPU2040MA	SCREW	for R SIDE-CENTER(x3)	
S53	QYSPSGU2040MA	TAP SCREW	for R SIDE-REAR	
S54	QYSPSGU2040MA	TAP SCREW	FOR L SIDE	
S55	QYSPSPU2040MA	SCREW	FOR L SIDE(x4)	
S56	QYSPSGU2060MA	TAP SCREW	FOR BKT FRONT(x2)	
S57	QYSPSGU2060MA	TAP SCREW	FOR OPE UNIT(x4)	
S58	LY30031-029A	SPECIAL SCREW	(x4)	HM200U, HM200E
S59	QYSPSPU2040MA	SCREW	M2 x 4mm(x2)	HM200U, HM200E
S60	QYSPSPU2040MA	SCREW	M2 x 4mm(x4)	HM200U, HM200E
S61	LY30031-029A	SPECIAL SCREW	(x4)	HM200U, HM200E
S62	QYSPSPU2040MA	SCREW	M2 x 4mm(x4)	HM200U, HM200E
S63	QYSPSPU2040MA	SCREW	M2 x 4mm	HM200U, HM200E
S64	QYSPSPU2040MA	SCREW	M2 x 4mm(x5)	HM200U, HM200E
S65	QYSPSF3008DA	TAP SCREW	M3 x 8mm(x4)	HM200U, HM200E
S66	QYSPSGU2040MA	TAP SCREW	M2 x 4mm	HM200U, HM200E
S67	QYSPSGU2040MA	TAP SCREW	M2 x 4mm	HM200U, HM200E
S68	QYSPSPU2040MA	SCREW	M2 x 4mm(x2)	HM200U, HM200E
S69	QYSPSPU1440NA	SCREW	M1.4 x 4mm(x2)	HM200U, HM200E
S70	LY30031-029A	SPECIAL SCREW		HM200U, HM200E
S71	QYSPSPU2040MA	SCREW	M2 x 4mm(x2)	HM200U, HM200E
S72	LW40841-001B-H	SCREW		HM200U, HM200E
S73	QYSDSP3014DA	SCREW	M3 x 14mm(x2)	HM200U, HM200E
S74	QYSPSPU2040MA	SCREW	AU_PWB(x3)	HM200U, HM200E
S75	QYSPSPU2040MA	SCREW	ZOOM_PWB(x2)	HM200U, HM200E
S76	QYSPSPU2040MA	SCREW	HANDLE_CU_PWB(x2)	HM200U, HM200E
S77	LY30031-025A	SPECIAL SCREW	CMOS(x3)	
S78	QYSPSPU2060MA	SCREW	For COVER USB	HM170U, HM170E



# ELECTRICAL PARTS LIST

## SAFETY PRECAUTION:

Parts identified by the  $\Delta$  symbol are critical for safety. Replace only with specified parts numbers.  
For maximum reliability and performance, all other replacement parts should be identical to those specified.

## NOTE:

- Parts not denoted by parts numbers are not supplied by JVC.
- Abbreviations in this list are as follows:

### RESISTORS

In the "Description" column:

- All resistance values are in ohms ( $\Omega$ ).
- k expresses kilo-ohm (1000 ohms,  $k\Omega$ ).
- M expresses mega-ohm ( $10^6$  ohms,  $M\Omega$ ).

In the "Parts Name" column:

CAR.RESISTOR	: Carbon Resistor
C.M.F.RESISTOR	: Constant Metalized Film Resistor
COMP.RESISTOR	: Composition Resistor
FUSI.RESISTOR	: Fusible Resistor
M.F.RESISTOR	: Metal Film Resistor
M.G.RESISTOR	: Metal Graze Resistor
M.P.RESISTOR	: Metal Plate Resistor
O.M.F.RESISTOR	: Oxide Metalized Film Resistor
TRIM.RESISTOR	: Trimerer Resistor
U.F.RESISTOR	: Non-inflammable Resistor
VAL.RESISTOR	: Valiable Resistor
W.W.RESISTOR	: Wire Wound Resistor

### CAPACITORS

In the "Description" column:

- All capacitance values are in microfarad ( $\mu F$ ) unless otherwise indicated.
- p expresses picofarad ( $10^{-12}$  farad,pF).

In the "Parts Name" column:

CER.CAPACITOR	: Ceramic Capacitor
E.CAPACITOR	: Electrolytic Capacitor
FILM CAPACITOR	: Film Capacitor
M.F.CAPACITOR	: Metalized Film Capacitor
MICA CAPACITOR	: Mica Capacitor
MPP CAPACITOR	: Metalized PolyPropylene Capacitor
MPPS CAPACITOR	: Metalized PolyPhenylene Sulfied film Capacitor
M.M.CAPACITOR	: Metalized Mylar Capacitor
MYLAR CAPACITOR	: Mylar Capacitor
N.P.CAPACITOR	: Non-Poler electrolytic Capacitor
P.P.CAPACITOR	: PolyPropylene Capacitor
PPS CAPACITOR	: PolyPhenylene Sulfied film Capacitor
P.S.CAPACITOR	: PolyStyrene Capacitor
TAN.CAPACITOR	: Tantal Capacitor
TRIM.CAPACITOR	: Trimer Capacitor
VAL.CAPACITOR	: Valiable Capacitor

# Electrical parts list

## MAIN BOARD ASSEMBLY PARTS LIST

K7P-0070-011-1(GY-HM170U)

K7P-0070-011-3(GY-HM170E)

K7P-0070-001-1(GY-HM200U)

K7P-0070-001-3(GY-HM200E)

Block No. [0][1]

△ Symbol No.	Part No.	Part Name	Description	Local
PW1	K7P-0070-011-1	MAIN BOARD ASSEMBLY		HM170U
PW1	K7P-0070-011-3	MAIN BOARD ASSEMBLY		HM170E
PW1	K7P-0070-001-1	MAIN BOARD ASSEMBLY		HM200U
PW1	K7P-0070-001-3	MAIN BOARD ASSEMBLY		HM200E
IC1000	-----	IC		
IC1001	-----	IC		
IC1002	-----	IC		
IC1506	-----	IC		
IC1507	-----	IC		
IC1508	-----	IC		
IC1509	-----	IC		
IC1511	-----	IC		
IC2000	-----	IC		
IC2003	-----	IC		
IC2004	-----	IC		
IC2005	-----	IC		
IC2500	-----	IC		
IC2501	-----	IC		
IC2502	-----	IC		
IC2503	-----	IC		
IC2504	-----	IC		
IC2505	-----	IC		
IC2506	-----	IC		
IC2507	-----	IC		HM200U, HM200E
IC2508	-----	IC		
IC2509	-----	IC		
IC2510	-----	IC		HM200U, HM200E
IC2511	-----	IC		
IC2512	-----	IC		
IC2513	-----	IC		
IC3000	-----	IC		
IC3001	-----	IC		
IC3002	-----	IC		
IC3004	-----	IC		
IC3005	-----	IC		HM200U, HM200E
IC3006	-----	IC		
IC3500	-----	IC		
IC3501	-----	IC		
IC3502	-----	IC		
IC3503	-----	IC		
IC3504	-----	IC		HM200U, HM200E
IC3505	-----	IC		
IC5000	-----	IC		
IC5001	-----	IC		
IC5002	-----	IC		
IC5003	-----	IC		
IC5004	-----	IC		
IC5005	-----	IC		
IC5500	-----	IC		
IC5501	-----	IC		
IC5502	-----	IC		
IC5503	-----	IC		
IC5504	-----	IC		
IC5505	-----	IC		
IC5506	-----	IC		
IC5507	-----	IC		
IC5508	-----	IC		
IC5509	-----	IC		
IC5510	-----	IC		
IC5511	-----	IC		
IC5512	-----	IC		
IC5513	-----	IC		
IC6000	-----	IC		
IC6001	-----	IC		

△ Symbol No.	Part No.	Part Name	Description	Local
IC6002	-----	IC		
IC6003	-----	IC		
Q1000	-----	MOS FET		
Q1001	-----	MOS FET		
Q1002	-----	MOS FET		
Q1003	-----	MOS FET		
Q1004	-----	MOS FET		
Q1005	-----	MOS FET		
Q1006	-----	MOS FET		
Q1007	-----	TRANSISTOR		
Q1008	-----	MOS FET		
Q1515	-----	MOS FET		
Q1516	-----	MOS FET		
Q1517	-----	DIGI TRANSISTOR		
Q1519	-----	MOS FET		
Q1520	-----	MOS FET		
Q1521	-----	DIGI TRANSISTOR		
Q1522	-----	DIGI TRANSISTOR		
Q1523	-----	MOS FET		
Q1524	-----	DIGI TRANSISTOR		
Q1525	-----	MOS FET		
Q1526	-----	DIGI TRANSISTOR		
Q2506	-----	DIGI TR ARRAY		
Q2507	-----	DIGI TRANSISTOR		
Q5000	-----	MOS FET		
Q5001	-----	DIGI TRANSISTOR		
Q5002	-----	DIGI TRANSISTOR		
Q5003	-----	TRANSISTOR		
Q5004	-----	MOS FET		
Q5005	-----	TRANSISTOR		
Q5006	-----	TRANSISTOR		
Q5007	-----	DIGI TRANSISTOR		
Q5500	-----	DIGI TRANSISTOR		
Q5501	-----	DIGI TRANSISTOR		
Q5502	-----	TRANSISTOR		
Q5503	-----	SV-TRANSISTOR		
Q5504	-----	DIGI TRANSISTOR		
Q5505	-----	MOS FET		
Q5506	-----	TRANSISTOR		
Q5507	-----	DIGI TRANSISTOR		
Q5508	-----	MOS FET		
Q5509	-----	DIGI TRANSISTOR		
Q5510	-----	MOS FET		
Q6001	-----	MOS FET		
Q6002	-----	DIGI TRANSISTOR		
Q6003	-----	MOS FET		
Q6004	-----	DIGI TRANSISTOR		
QA5500	-----	TR ARRAY		
QA5501	-----	TR ARRAY		
QA5502	-----	TR ARRAY		
D1001	-----	DIODE ARRAY		
D1003	-----	SB DIODE		
D1004	-----	SB DIODE		
D1005	-----	DIODE ARRAY		
D1006	-----	SCHOTTKY DIODE		
D1007	-----	DIODE ARRAY		
D1008	-----	ZENER DIODE		
D1009	-----	DIODE ARRAY		
D1010	-----	SB DIODE		
D1517	-----	SB DIODE		
D1526	-----	SCHOTTKY DIODE		
D2000	-----	SCHOTTKY DIODE		
D2003	-----	SCHOTTKY DIODE		
D2500	-----	SCHOTTKY DIODE		
D2501	-----	SCHOTTKY DIODE		HM200U, HM200E
D5000	-----	DIODE		
D5001	-----	LED		
D5002	-----	LED		
D5500	-----	SB DIODE		
D5501	-----	SB DIODE		
D5503	-----	SB DIODE		
D5505	-----	SB DIODE		
D5506	-----	SB DIODE		
D5507	-----	SB DIODE		

△ Symbol No.	Part No.	Part Name	Description	Local	△ Symbol No.	Part No.	Part Name	Description	Local
D5508	-----	DIODE			C1611	-----	C CAPACITOR	1uF 16V K	
D5509	-----	SCHOTTKY DIODE			C2000	-----	C CAPACITOR	0.1uF 16V K	
D5510	-----	SCHOTTKY DIODE			C2002	-----	C CAPACITOR	5pF 50V C	
D5511	-----	DIODE ARRAY			C2003	-----	C CAPACITOR	5pF 50V C	
D5512	-----	DIODE			C2007	-----	C CAPACITOR	1uF 10V K	
					C2008	-----	C CAPACITOR	1uF 10V K	
C1000	-----	C CAPACITOR	1uF 25V K		C2009	-----	C CAPACITOR	0.022uF 25V K	
C1001	-----	C CAPACITOR	1uF 25V K		C2010	-----	C CAPACITOR	0.022uF 25V K	
C1002	-----	C CAPACITOR	2200pF 50V K		C2011	-----	C CAPACITOR	0.022uF 25V K	
C1003	-----	C CAPACITOR	0.1uF 16V K		C2012	-----	C CAPACITOR	0.022uF 25V K	
C1004	-----	C CAPACITOR	0.1uF 16V K		C2013	-----	C CAPACITOR	0.022uF 25V K	
C1005	-----	C CAPACITOR	0.1uF 16V K		C2014	-----	C CAPACITOR	0.022uF 25V K	
C1006	-----	C CAPACITOR	0.1uF 16V K		C2015	-----	C CAPACITOR	0.022uF 25V K	
C1007	-----	C CAPACITOR	1uF 25V K		C2016	-----	C CAPACITOR	0.022uF 25V K	
C1008	-----	C CAPACITOR	0.047uF 16V K		C2017	-----	C CAPACITOR	0.022uF 25V K	
C1009	-----	C CAPACITOR	0.01uF 16V K		C2018	-----	C CAPACITOR	0.1uF 16V K	
C1010	-----	C CAPACITOR	1uF 16V K		C2019	-----	C CAPACITOR	0.1uF 16V K	
C1011	-----	C CAPACITOR	10uF 25V		C2020	-----	C CAPACITOR	0.022uF 25V K	
C1012	-----	C CAPACITOR	10uF 25V		C2021	-----	C CAPACITOR	0.022uF 25V K	
C1013	-----	C CAPACITOR	0.1uF 16V K		C2022	-----	C CAPACITOR	0.022uF 25V K	
C1014	-----	C CAPACITOR	0.1uF 16V K		C2023	-----	C CAPACITOR	0.022uF 25V K	
C1015	-----	C CAPACITOR	0.1uF 16V K		C2024	-----	C CAPACITOR	0.022uF 25V K	
C1016	-----	C CAPACITOR	10uF 25V		C2025	-----	C CAPACITOR	0.022uF 25V K	
C1017	-----	C CAPACITOR	10uF 25V		C2026	-----	C CAPACITOR	0.022uF 25V K	
C1018	-----	C CAPACITOR	0.01uF 16V K		C2027	-----	C CAPACITOR	0.022uF 25V K	
C1019	-----	C CAPACITOR	0.1uF 16V K		C2028	-----	C CAPACITOR	0.022uF 25V K	
C1020	-----	C CAPACITOR	0.1uF 16V K		C2029	-----	C CAPACITOR	0.1uF 16V K	
C1557	-----	C CAPACITOR	10uF		C2030	-----	C CAPACITOR	0.1uF 16V K	
C1558	-----	C CAPACITOR	1uF 25V K		C2036	-----	C CAPACITOR	1000pF 50V K	
C1559	-----	C CAPACITOR	10uF		C2037	-----	C CAPACITOR	1000pF 50V K	
C1560	-----	C CAPACITOR	1uF 25V K		C2038	-----	C CAPACITOR	0.1uF 16V K	
C1561	-----	C CAPACITOR	10uF		C2039	-----	C CAPACITOR	0.1uF 16V K	
C1562	-----	C CAPACITOR	68pF 50V J		C2040	-----	C CAPACITOR	0.1uF 16V K	
C1563	-----	C CAPACITOR	1uF 25V K		C2041	-----	C CAPACITOR	0.1uF 16V K	
C1564	-----	C CAPACITOR	1uF 16V K		C2042	-----	C CAPACITOR	0.1uF 16V K	
C1565	-----	C CAPACITOR	1uF 16V K		C2043	-----	C CAPACITOR	0.1uF 16V K	
C1566	-----	C CAPACITOR	1uF 16V K		C2044	-----	C CAPACITOR	0.1uF 16V K	
C1567	-----	C CAPACITOR	0.15uF 6.3V K		C2045	-----	C CAPACITOR	0.1uF 16V K	
C1568	-----	C CAPACITOR	22pF 50V J		C2046	-----	C CAPACITOR	0.1uF 16V K	
C1569	-----	C CAPACITOR	22pF 50V J		C2047	-----	C CAPACITOR	0.1uF 16V K	
C1570	-----	C CAPACITOR	5pF 50V C		C2048	-----	C CAPACITOR	0.1uF 16V K	
C1571	-----	C CAPACITOR	0.01uF 25V K		C2049	-----	C CAPACITOR	0.1uF 16V K	
C1572	-----	C CAPACITOR	4.7uF 10V K		C2050	-----	C CAPACITOR	10uF 6.3V M	
C1573	-----	C CAPACITOR	10uF 25V		C2051	-----	C CAPACITOR	0.1uF 16V K	
C1574	-----	C CAPACITOR	1uF 10V K		C2052	-----	C CAPACITOR	0.1uF 16V K	
C1575	-----	C CAPACITOR	2.2uF 10V K		C2053	-----	C CAPACITOR	0.1uF 16V K	
C1576	-----	C CAPACITOR	1uF 16V K		C2054	-----	C CAPACITOR	0.1uF 16V K	
C1578	-----	C CAPACITOR	10uF 10V K		C2055	-----	C CAPACITOR	1uF 10V K	
C1579	-----	C CAPACITOR	10uF		C2056	-----	C CAPACITOR	0.1uF 16V K	
C1580	-----	C CAPACITOR	100pF 50V J		C2057	-----	C CAPACITOR	0.1uF 16V K	
C1582	-----	C CAPACITOR	33pF 50V J		C2058	-----	C CAPACITOR	10uF 6.3V M	
C1584	-----	C CAPACITOR	10uF 25V		C2059	-----	C CAPACITOR	0.1uF 16V K	
C1585	-----	C CAPACITOR	10uF 10V K		C2060	-----	C CAPACITOR	0.1uF 16V K	
C1586	-----	C CAPACITOR	10uF		C2061	-----	C CAPACITOR	0.1uF 16V K	
C1587	-----	C CAPACITOR	10uF 10V K		C2062	-----	C CAPACITOR	0.1uF 16V K	
C1588	-----	C CAPACITOR	1uF 25V K		C2063	-----	C CAPACITOR	10uF 6.3V M	
C1589	-----	C CAPACITOR	1uF 16V K		C2064	-----	C CAPACITOR	0.1uF 16V K	
C1590	-----	C CAPACITOR	1uF 16V K		C2065	-----	C CAPACITOR	0.1uF 16V K	
C1591	-----	C CAPACITOR	1uF 16V K		C2066	-----	C CAPACITOR	0.1uF 16V K	
C1592	-----	C CAPACITOR	0.01uF 25V K		C2067	-----	C CAPACITOR	0.1uF 16V K	
C1593	-----	C CAPACITOR	0.15uF 6.3V K		C2068	-----	C CAPACITOR	0.1uF 16V K	
C1594	-----	C CAPACITOR	10uF 10V K		C2069	-----	C CAPACITOR	0.1uF 16V K	
C1595	-----	C CAPACITOR	10uF 10V K		C2070	-----	C CAPACITOR	1uF 10V K	
C1596	-----	C CAPACITOR	10uF 25V		C2071	-----	C CAPACITOR	0.1uF 16V K	
C1597	-----	C CAPACITOR	10uF 10V K		C2072	-----	C CAPACITOR	10uF 6.3V M	
C1598	-----	C CAPACITOR	10uF		C2073	-----	C CAPACITOR	0.1uF 16V K	
C1599	-----	C CAPACITOR	10uF 10V K		C2074	-----	C CAPACITOR	0.1uF 16V K	
C1600	-----	C CAPACITOR	1uF 16V K		C2075	-----	C CAPACITOR	47uF 6.3V M	
C1601	-----	C CAPACITOR	0.01uF 16V K		C2076	-----	C CAPACITOR	0.1uF 16V K	
C1602	-----	C CAPACITOR	10uF 10V K		C2077	-----	C CAPACITOR	47uF 6.3V M	
C1603	-----	C CAPACITOR	0.1uF 16V K		C2078	-----	C CAPACITOR	0.1uF 16V K	
C1604	-----	C CAPACITOR	220pF 50V J		C2079	-----	C CAPACITOR	22uF 6.3V M	
C1605	-----	C CAPACITOR	1uF 16V K		C2080	-----	C CAPACITOR	22uF 6.3V M	
C1606	-----	C CAPACITOR	220pF 50V J		C2081	-----	C CAPACITOR	0.1uF 16V K	
C1607	-----	TA E CAPACITOR	47uF 10V M		C2082	-----	C CAPACITOR	0.1uF 16V K	
C1608	-----	C CAPACITOR	4.7uF 16V K		C2083	-----	C CAPACITOR	0.1uF 16V K	
C1609	-----	C CAPACITOR	4.7uF 16V K		C2084	-----	C CAPACITOR	0.1uF 16V K	
C1610	-----	C CAPACITOR	0.1uF 16V K		C2085	-----	C CAPACITOR	0.1uF 16V K	

△ Symbol No.	Part No.	Part Name	Description	Local	△ Symbol No.	Part No.	Part Name	Description	Local
C2087	-----	C CAPACITOR	1uF 10V K		C3502	-----	C CAPACITOR	0.1uF 16V K	
C2088	-----	C CAPACITOR	0.1uF 16V K		C3503	-----	C CAPACITOR	10uF 6.3V M	
C2089	-----	C CAPACITOR	10uF 6.3V M		C3504	-----	C CAPACITOR	0.1uF 16V K	
C2090	-----	C CAPACITOR	0.1uF 16V K		C3505	-----	C CAPACITOR	0.01uF 25V K	
C2091	-----	C CAPACITOR	0.1uF 16V K		C3506	-----	C CAPACITOR	0.1uF 16V K	
C2092	-----	C CAPACITOR	1uF 10V K		C3507	-----	C CAPACITOR	0.01uF 25V K	
C2093	-----	C CAPACITOR	0.1uF 16V K		C3508	-----	C CAPACITOR	1uF 10V K	
C2094	-----	C CAPACITOR	1uF 10V K		C3509	-----	C CAPACITOR	0.1uF 16V K	
C2095	-----	C CAPACITOR	0.1uF 16V K		C3510	-----	C CAPACITOR	1uF 10V K	
C2096	-----	C CAPACITOR	0.1uF 16V K		C3511	-----	C CAPACITOR	0.01uF 25V K	
C2097	-----	C CAPACITOR	0.1uF 16V K		C3512	-----	C CAPACITOR	0.1uF 16V K	
C2098	-----	C CAPACITOR	0.1uF 16V K		C3513	-----	C CAPACITOR	0.01uF 25V K	
C2099	-----	C CAPACITOR	0.1uF 16V K		C3514	-----	C CAPACITOR	10uF 6.3V M	
C2500	-----	C CAPACITOR	0.1uF 16V K		C3515	-----	C CAPACITOR	10uF 6.3V M	
C2501	-----	C CAPACITOR	0.1uF 16V K		C3516	-----	C CAPACITOR	0.1uF 16V K	
C2502	-----	C CAPACITOR	1uF 10V K		C3517	-----	C CAPACITOR	0.01uF 25V K	
C2503	-----	C CAPACITOR	0.1uF 16V K		C3518	-----	C CAPACITOR	22uF 6.3V M	
C2505	-----	C CAPACITOR	0.1uF 16V K		C3519	-----	C CAPACITOR	0.1uF 16V K	
C2507	-----	C CAPACITOR	0.1uF 16V K		C3520	-----	C CAPACITOR	0.1uF 16V K	
C2508	-----	C CAPACITOR	0.1uF 16V K		C3521	-----	C CAPACITOR	0.01uF 25V K	
C2509	-----	C CAPACITOR	0.1uF 16V K		C3522	-----	C CAPACITOR	0.01uF 25V K	
C2510	-----	C CAPACITOR	0.1uF 16V K		C3523	-----	C CAPACITOR	1uF 10V K	
C2511	-----	C CAPACITOR	0.1uF 16V K		C3524	-----	C CAPACITOR	1uF 10V K	
C2512	-----	C CAPACITOR	0.1uF 16V K		C3525	-----	C CAPACITOR	10uF 6.3V M	
C2513	-----	C CAPACITOR	0.1uF 16V K		C3526	-----	C CAPACITOR	0.1uF 16V K	
C2514	-----	C CAPACITOR	1uF 10V K		C3527	-----	C CAPACITOR	0.01uF 25V K	
C2515	-----	C CAPACITOR	1uF 10V K		C3528	-----	C CAPACITOR	0.1uF 16V K	
C2516	-----	C CAPACITOR	10uF 25V	HM200U, HM200E	C3529	-----	C CAPACITOR	0.01uF 25V K	
C2517	-----	C CAPACITOR	0.1uF 50V K	HM200U, HM200E	C3530	-----	C CAPACITOR	10uF 6.3V M	
C2518	-----	C CAPACITOR	1uF 10V K		C3531	-----	C CAPACITOR	1uF 10V K	HM200U, HM200E
C2519	-----	C CAPACITOR	1uF 10V K		C3532	-----	C CAPACITOR	4.7uF 10V K	HM200U, HM200E
C2520	-----	C CAPACITOR	1uF 10V K		C3533	-----	C CAPACITOR	0.1uF 16V K	
C2521	-----	C CAPACITOR	1uF 10V K		C3534	-----	C CAPACITOR	0.01uF 25V K	
C2522	-----	C CAPACITOR	2200pF 50V K	HM200U, HM200E	C3535	-----	C CAPACITOR	10uF 6.3V M	HM200U, HM200E
C2523	-----	C CAPACITOR	10uF 10V K	HM200U, HM200E	C3536	-----	C CAPACITOR	0.01uF 25V K	HM200U, HM200E
C2524	-----	C CAPACITOR	10uF 10V K	HM200U, HM200E	C3537	-----	C CAPACITOR	0.1uF 16V K	
C2525	-----	C CAPACITOR	220pF 50V J	HM200U, HM200E	C3538	-----	C CAPACITOR	0.01uF 25V K	
C2526	-----	C CAPACITOR	3.3uF 6.3V K		C3539	-----	C CAPACITOR	1uF 10V K	
C2527	-----	C CAPACITOR	10uF 6.3V M		C3540	-----	C CAPACITOR	10uF 6.3V M	
C2530	-----	C CAPACITOR	0.1uF 16V K	HM200U, HM200E	C3541	-----	C CAPACITOR	0.1uF 16V K	
C2531	-----	C CAPACITOR	1uF 10V K		C3542	-----	C CAPACITOR	0.01uF 25V K	
C2532	-----	C CAPACITOR	0.1uF 16V K		C3543	-----	C CAPACITOR	1uF 10V K	
C2534	-----	C CAPACITOR	1uF 10V K		C5000	-----	C CAPACITOR	2200pF 50V K	
C2535	-----	C CAPACITOR	1uF 10V K		C5001	-----	C CAPACITOR	10uF 10V K	
C2536	-----	C CAPACITOR	10uF 10V K	HM200U, HM200E	C5002	-----	C CAPACITOR	1uF 10V K	
C2537	-----	C CAPACITOR	0.1uF 16V K	HM200U, HM200E	C5003	-----	C CAPACITOR	1uF 10V K	
C2538	-----	C CAPACITOR	1uF 10V K		C5004	-----	C CAPACITOR	1uF 10V K	
C2539	-----	C CAPACITOR	1uF 10V K		C5005	-----	C CAPACITOR	10uF 6.3V M	
C2540	-----	C CAPACITOR	0.1uF 16V K		C5006	-----	C CAPACITOR	0.1uF 16V K	
C3000	-----	C CAPACITOR	1uF 10V K		C5007	-----	C CAPACITOR	0.1uF 16V K	
C3001	-----	C CAPACITOR	10uF 6.3V M		C5008	-----	C CAPACITOR	0.1uF 16V K	
C3002	-----	C CAPACITOR	10uF 6.3V M		C5009	-----	C CAPACITOR	0.1uF 16V K	
C3003	-----	OS E CAPACITOR	47uF 10V M		C5010	-----	C CAPACITOR	0.1uF 16V K	
C3004	-----	C CAPACITOR	10uF 6.3V M		C5011	-----	C CAPACITOR	0.1uF 16V K	
C3005	-----	C CAPACITOR	0.082uF 16V K		C5012	-----	C CAPACITOR	0.1uF 16V K	
C3006	-----	C CAPACITOR	6800pF 25V K		C5013	-----	C CAPACITOR	1uF 10V K	
C3007	-----	C CAPACITOR	6800pF 25V K		C5014	-----	C CAPACITOR	1uF 10V K	
C3008	-----	C CAPACITOR	10pF 50V D		C5015	-----	C CAPACITOR	0.1uF 16V K	
C3009	-----	C CAPACITOR	10pF 50V D		C5016	-----	C CAPACITOR	10uF 6.3V M	
C3010	-----	C CAPACITOR	1uF 10V K		C5017	-----	C CAPACITOR	0.1uF 16V K	
C3011	-----	C CAPACITOR	0.082uF 16V K		C5018	-----	C CAPACITOR	0.1uF 16V K	
C3012	-----	C CAPACITOR	0.1uF 16V K		C5019	-----	C CAPACITOR	0.1uF 16V K	
C3013	-----	C CAPACITOR	0.1uF 16V K		C5020	-----	C CAPACITOR	0.1uF 16V K	
C3014	-----	C CAPACITOR	10uF 6.3V M		C5021	-----	C CAPACITOR	0.1uF 16V K	
C3016	-----	C CAPACITOR	1uF 10V K		C5022	-----	C CAPACITOR	0.1uF 16V K	
C3018	-----	C CAPACITOR	1uF 10V K		C5023	-----	C CAPACITOR	0.1uF 16V K	
C3019	-----	C CAPACITOR	0.1uF 16V K	HM200U, HM200E	C5024	-----	C CAPACITOR	0.1uF 16V K	
C3020	-----	C CAPACITOR	0.1uF 16V K	HM200U, HM200E	C5025	-----	C CAPACITOR	0.1uF 16V K	
C3021	-----	C CAPACITOR	0.1uF 16V K		C5026	-----	C CAPACITOR	1uF 10V K	
C3022	-----	C CAPACITOR	10uF 6.3V M	HM200U, HM200E	C5502	-----	C CAPACITOR	4.7uF 6.3V M	
C3023	-----	C CAPACITOR	1uF 10V K		C5503	-----	C CAPACITOR	220pF 50V J	
C3024	-----	C CAPACITOR	0.1uF 16V K	HM200U, HM200E	C5504	-----	C CAPACITOR	220pF 50V J	
C3025	-----	C CAPACITOR	0.1uF 16V K		C5505	-----	C CAPACITOR	1uF 10V K	
C3026	-----	C CAPACITOR	0.1uF 16V K	HM200U, HM200E	C5506	-----	C CAPACITOR	1uF 10V K	
C3027	-----	C CAPACITOR	0.1uF 16V K	HM200U, HM200E	C5507	-----	C CAPACITOR	220pF 50V J	
C3028	-----	C CAPACITOR	0.1uF 16V K	HM200U, HM200E	C5508	-----	C CAPACITOR	220pF 50V J	
C3029	-----	C CAPACITOR	0.1uF 16V K	HM200U, HM200E	C5509	-----	C CAPACITOR	0.1uF 16V K	
C3500	-----	C CAPACITOR	0.1uF 16V K		C5510	-----	C CAPACITOR	0.1uF 16V K	

△ Symbol No.	Part No.	Part Name	Description	Local	△ Symbol No.	Part No.	Part Name	Description	Local
C5511	-----	C CAPACITOR	0.1uF 16V K		C5590	-----	C CAPACITOR	0.1uF 16V K	
C5512	-----	C CAPACITOR	22pF 50V J		C5591	-----	C CAPACITOR	0.01uF 25V K	
C5513	-----	C CAPACITOR	22pF 50V J		C5592	-----	C CAPACITOR	0.01uF 25V K	
C5514	-----	C CAPACITOR	1uF 10V K		C5593	-----	C CAPACITOR	100pF 50V J	
C5515	-----	C CAPACITOR	0.1uF 16V K		C5594	-----	C CAPACITOR	100pF 50V J	
C5516	-----	C CAPACITOR	0.1uF 16V K		C5595	-----	C CAPACITOR	1uF 10V K	
C5517	-----	C CAPACITOR	0.1uF 16V K		C5596	-----	C CAPACITOR	1uF 10V K	
C5518	-----	C CAPACITOR	10uF 6.3V M		C5597	-----	C CAPACITOR	22uF 6.3V M	
C5519	-----	C CAPACITOR	10uF 6.3V M		C5598	-----	C CAPACITOR	1uF 10V K	
C5520	-----	C CAPACITOR	10uF 6.3V M		C5599	-----	C CAPACITOR	4.7uF 6.3V M	
C5521	-----	C CAPACITOR	4.7uF 6.3V M		C5600	-----	C CAPACITOR	10uF 6.3V M	
C5522	-----	C CAPACITOR	1uF 10V K		C5601	-----	C CAPACITOR	10uF 6.3V M	
C5523	-----	C CAPACITOR	1uF 10V K		C5602	-----	C CAPACITOR	1uF 10V K	
C5524	-----	C CAPACITOR	4.7uF 6.3V M		C5603	-----	C CAPACITOR	22uF 6.3V M	
C5525	-----	C CAPACITOR	4.7uF 6.3V M		C5604	-----	C CAPACITOR	47uF 6.3V M	
C5526	-----	C CAPACITOR	4.7uF 6.3V M		C5605	-----	C CAPACITOR	47uF 6.3V M	
C5527	-----	C CAPACITOR	4.7uF 6.3V M		C5606	-----	C CAPACITOR	47uF 10V K	
C5528	-----	C CAPACITOR	0.022uF 25V K		C5608	-----	C CAPACITOR	10uF 10V K	
C5529	-----	C CAPACITOR	1uF 10V K		C5609	-----	C CAPACITOR	1000pF 50V K	
C5530	-----	C CAPACITOR	0.1uF 16V K		C6000	-----	C CAPACITOR	0.1uF 16V K	
C5531	-----	C CAPACITOR	100uF		C6001	-----	C CAPACITOR	1uF 10V K	
C5532	-----	C CAPACITOR	100uF		C6002	-----	C CAPACITOR	0.1uF 16V K	
C5533	-----	C CAPACITOR	0.1uF 16V K		C6003	-----	C CAPACITOR	1uF 10V K	
C5534	-----	C CAPACITOR	100uF		C6004	-----	C CAPACITOR	1uF 10V K	
C5535	-----	C CAPACITOR	100uF		C6005	-----	C CAPACITOR	10uF 10V K	
C5536	-----	C CAPACITOR	0.1uF 16V K		C6006	-----	C CAPACITOR	10uF 10V K	
C5537	-----	C CAPACITOR	1uF 10V K		C6007	-----	C CAPACITOR	1uF 10V K	
C5538	-----	C CAPACITOR	47uF 10V K		C6008	-----	C CAPACITOR	1uF 10V K	
C5539	-----	C CAPACITOR	47uF 10V K		C6009	-----	C CAPACITOR	10uF 6.3V M	
C5540	-----	C CAPACITOR	47uF 10V K		C6010	-----	C CAPACITOR	10uF 6.3V M	
C5541	-----	C CAPACITOR	1uF 10V K		C6012	-----	C CAPACITOR	22pF 50V J	
C5542	-----	C CAPACITOR	1uF 10V K		C6013	-----	C CAPACITOR	1000pF 50V K	
C5543	-----	C CAPACITOR	1uF 10V K		C6014	-----	C CAPACITOR	47uF 6.3V M	
C5544	-----	C CAPACITOR	4.7uF 10V K		R1001	-----	MG RESISTOR	220Ω 1/16W D	
C5545	-----	C CAPACITOR	4.7uF 10V K		R1002	-----	MG RESISTOR	2.2kΩ 1/10W J	
C5546	-----	C CAPACITOR	0.22uF 6.3V K		R1003	-----	MG RESISTOR	100kΩ 1/16W D	
C5547	-----	C CAPACITOR	0.22uF 6.3V K		R1004	-----	MG RESISTOR	1.8kΩ 1/16W D	
C5548	-----	C CAPACITOR	0.1uF 16V K		R1005	-----	MG RESISTOR	12kΩ 1/16W D	
C5549	-----	C CAPACITOR	4.7uF 16V K		R1006	-----	MG RESISTOR	330kΩ 1/16W D	
C5550	-----	C CAPACITOR	4.7uF 16V K		R1007	-----	MG RESISTOR	15kΩ 1/16W D	
C5551	-----	C CAPACITOR	10uF 6.3V M		R1008	-----	MG RESISTOR	3.9kΩ 1/16W J	
C5552	-----	C CAPACITOR	10uF 6.3V M		R1010	-----	MG RESISTOR	3.9kΩ 1/16W J	
C5553	-----	C CAPACITOR	10uF 6.3V M		R1011	-----	MG RESISTOR	10Ω 1/16W J	
C5554	-----	C CAPACITOR	4.7uF 6.3V M		R1013	-----	MP RESISTOR	10mΩ 1/2W F	
C5555	-----	C CAPACITOR	0.1uF 16V K		R1014	-----	MG RESISTOR	47kΩ 1/16W D	HM170U, HM170E
C5556	-----	C CAPACITOR	0.1uF 16V K		R1014	-----	MG RESISTOR	56kΩ 1/16W D	HM200U, HM200E
C5557	-----	C CAPACITOR	0.01uF 25V K		R1015	-----	MG RESISTOR	100kΩ 1/16W J	
C5558	-----	C CAPACITOR	10uF 6.3V M		R1016	-----	MG RESISTOR	270kΩ 1/16W D	
C5559	-----	C CAPACITOR	0.1uF 16V K		R1017	-----	MG RESISTOR	47kΩ 1/16W D	
C5560	-----	C CAPACITOR	10uF 6.3V M		R1018	-----	MG RESISTOR	0.02Ω	HM170U, HM170E
C5561	-----	C CAPACITOR	4.7uF 16V K		R1018	-----	MP RESISTOR	10mΩ 1/2W F	HM200U, HM200E
C5562	-----	C CAPACITOR	0.1uF 16V K		R1019	-----	MG RESISTOR	3.9kΩ 1/16W J	
C5563	-----	C CAPACITOR	10uF 10V K		R1020	-----	MG RESISTOR	180kΩ 1/16W D	
C5564	-----	C CAPACITOR	10uF 10V K		R1021	-----	MG RESISTOR	82kΩ 1/16W D	
C5565	-----	C CAPACITOR	10uF 6.3V M		R1022	-----	MG RESISTOR	15kΩ 1/16W D	
C5566	-----	C CAPACITOR	0.1uF 16V K		R1023	-----	MG RESISTOR	270kΩ 1/16W D	
C5568	-----	C CAPACITOR	1uF 10V K		R1024	-----	MG RESISTOR	270kΩ 1/16W D	
C5569	-----	C CAPACITOR	1uF 10V K		R1025	-----	MG RESISTOR	10kΩ 1/16W D	
C5570	-----	C CAPACITOR	1uF 10V K		R1026	-----	MG RESISTOR	100kΩ 1/16W D	
C5571	-----	C CAPACITOR	0.1uF 16V K		R1027	-----	MG RESISTOR	100kΩ 1/16W D	
C5572	-----	C CAPACITOR	10uF 6.3V M		R1028	-----	MG RESISTOR	47kΩ 1/16W D	
C5573	-----	C CAPACITOR	0.01uF 25V K		R1029	-----	MG RESISTOR	82kΩ 1/16W D	
C5574	-----	C CAPACITOR	10uF 6.3V M		R1030	-----	MG RESISTOR	62kΩ 1/16W J	
C5575	-----	C CAPACITOR	0.1uF 16V K		R1031	-----	MG RESISTOR	560Ω 1/16W D	
C5576	-----	C CAPACITOR	1uF 10V K		R1032	-----	MG RESISTOR	10kΩ 1/16W D	
C5577	-----	C CAPACITOR	1uF 10V K		R1033	-----	MG RESISTOR	82kΩ 1/16W D	
C5578	-----	C CAPACITOR	10uF 10V K		R1034	-----	MG RESISTOR	39kΩ 1/16W D	
C5579	-----	C CAPACITOR	4.7uF 6.3V M		R1035	-----	MG RESISTOR	1MΩ 1/16W J	
C5580	-----	C CAPACITOR	4.7uF 6.3V M		R1036	-----	MG RESISTOR	270kΩ 1/16W D	
C5581	-----	C CAPACITOR	0.1uF 16V K		R1037	-----	MG RESISTOR	270kΩ 1/16W D	
C5582	-----	C CAPACITOR	4.7uF 6.3V M		R1500	-----	MG RESISTOR	0Ω 1/16W J	
C5583	-----	C CAPACITOR	1uF 10V K		R1501	-----	MG RESISTOR	0Ω 1/16W J	
C5584	-----	C CAPACITOR	10uF 10V K		R1502	-----	MG RESISTOR	0Ω 1/16W J	
C5585	-----	C CAPACITOR	0.1uF 16V K		R1577	-----	MG RESISTOR	82kΩ 1/16W D	
C5586	-----	C CAPACITOR	1uF 10V K		R1578	-----	MG RESISTOR	10kΩ 1/16W D	
C5587	-----	C CAPACITOR	1uF 10V K		R1579	-----	MG RESISTOR	150kΩ 1/16W D	
C5588	-----	C CAPACITOR	1uF 10V K		R1580	-----	MG RESISTOR	15kΩ 1/16W D	
C5589	-----	C CAPACITOR	1uF 10V K						

△ Symbol No.	Part No.	Part Name	Description	Local	△ Symbol No.	Part No.	Part Name	Description	Local
R1581	-----	MG RESISTOR	75kΩ 1/16W D		R2027	-----	MG RESISTOR	22kΩ 1/16W D	
R1582	-----	MG RESISTOR	4.7kΩ 1/16W D		R2028	-----	MG RESISTOR	22kΩ 1/16W D	
R1583	-----	MG RESISTOR	0Ω 1/16W J		R2029	-----	MG RESISTOR	4.7kΩ 1/16W D	
R1584	-----	MG RESISTOR	200kΩ 1/16W D		R2030	-----	MG RESISTOR	4.7kΩ 1/16W D	
R1585	-----	MG RESISTOR	39kΩ 1/16W D		R2031	-----	MG RESISTOR	10kΩ 1/16W D	HM170U, HM170E
R1586	-----	MG RESISTOR	39kΩ 1/16W D		R2031	-----	MG RESISTOR	2.7kΩ 1/16W D	HM200U, HM200E
R1587	-----	MG RESISTOR	22kΩ 1/16W D		R2032	-----	MG RESISTOR	2.7kΩ 1/16W D	HM200U, HM200E
R1588	-----	MG RESISTOR	0Ω 1/16W J		R2033	-----	MG RESISTOR	4.7kΩ 1/16W D	
R1589	-----	MG RESISTOR	0Ω 1/16W J		R2034	-----	MG RESISTOR	0Ω 1/16W J	
R1590	-----	MG RESISTOR	120kΩ 1/16W D		R2039	-----	MG RESISTOR	33kΩ 1/16W D	
R1591	-----	MG RESISTOR	1.5kΩ 1/16W D		R2040	-----	MG RESISTOR	33kΩ 1/16W D	
R1592	-----	MG RESISTOR	12kΩ 1/16W D		R2041	-----	MG RESISTOR	33kΩ 1/16W D	
R1593	-----	MG RESISTOR	130kΩ 1/16W D		R2042	-----	MG RESISTOR	33kΩ 1/16W D	
R1595	-----	MG RESISTOR	0Ω 1/16W J		R2043	-----	MG RESISTOR	47kΩ 1/16W D	
R1596	-----	MG RESISTOR	100kΩ 1/16W D		R2047	-----	MG RESISTOR	100Ω 1/16W D	
R1597	-----	MG RESISTOR	470kΩ 1/16W D		R2048	-----	MG RESISTOR	100Ω 1/16W D	
R1602	-----	MG RESISTOR	100kΩ 1/16W D		R2049	-----	MG RESISTOR	100Ω 1/16W D	
R1603	-----	MG RESISTOR	3.3kΩ 1/16W D		R2050	-----	MG RESISTOR	100Ω 1/16W D	
R1604	-----	MG RESISTOR	12kΩ 1/16W D		R2051	-----	MG RESISTOR	100Ω 1/16W D	
R1605	-----	MG RESISTOR	22kΩ 1/16W D		R2052	-----	MG RESISTOR	100Ω 1/16W D	
R1606	-----	MG RESISTOR	27kΩ 1/16W D		R2054	-----	MG RESISTOR	10kΩ 1/16W D	
R1607	-----	MG RESISTOR	100kΩ 1/16W D		R2055	-----	MG RESISTOR	10kΩ 1/16W D	
R1608	-----	MG RESISTOR	150kΩ 1/16W D		R2056	-----	MG RESISTOR	10kΩ 1/16W D	
R1610	-----	MG RESISTOR	10kΩ 1/16W D		R2057	-----	MG RESISTOR	100Ω 1/16W D	
R1611	-----	MG RESISTOR	47kΩ 1/16W D		R2058	-----	MG RESISTOR	100Ω 1/16W D	
R1612	-----	MG RESISTOR	1.8kΩ 1/16W D		R2059	-----	MG RESISTOR	0Ω 1/16W J	
R1613	-----	MG RESISTOR	3.3kΩ 1/16W D		R2061	-----	MG RESISTOR	0Ω 1/16W J	HM200U, HM200E
R1614	-----	MG RESISTOR	82kΩ 1/16W D		R2062	-----	MG RESISTOR	100kΩ 1/16W D	
R1616	-----	MG RESISTOR	0Ω 1/16W J		R2063	-----	MG RESISTOR	22kΩ 1/16W D	
R1617	-----	MG RESISTOR	150kΩ 1/16W D		R2064	-----	MG RESISTOR	22kΩ 1/16W D	
R1618	-----	MG RESISTOR	91kΩ 1/16W D		R2065	-----	MG RESISTOR	22kΩ 1/16W D	
R1620	-----	MG RESISTOR	10Ω 1/16W J		R2066	-----	MG RESISTOR	22kΩ 1/16W D	
R1621	-----	MG RESISTOR	10Ω 1/16W J		R2067	-----	MG RESISTOR	4.7kΩ 1/16W D	
R1622	-----	MG RESISTOR	10Ω 1/16W J		R2068	-----	MG RESISTOR	4.7kΩ 1/16W D	
R1623	-----	MG RESISTOR	10Ω 1/16W J		R2069	-----	MG RESISTOR	240Ω 1/16W D	
R1624	-----	MG RESISTOR	10Ω 1/16W J		R2078	-----	MG RESISTOR	240Ω 1/16W D	
R1625	-----	MG RESISTOR	10Ω 1/16W J		R2081	-----	MG RESISTOR	240Ω 1/16W D	
R1626	-----	MG RESISTOR	10Ω 1/16W J		R2082	-----	MG RESISTOR	240Ω 1/16W D	
R1627	-----	MG RESISTOR	10Ω 1/16W J		R2089	-----	MG RESISTOR	22Ω 1/16W J	
R1628	-----	MG RESISTOR	10Ω 1/16W J		R2090	-----	MG RESISTOR	10Ω 1/16W J	
R1630	-----	MG RESISTOR	100kΩ 1/16W D		R2091	-----	MG RESISTOR	10Ω 1/16W J	
R1631	-----	MG RESISTOR	1MΩ 1/16W J		R2092	-----	MG RESISTOR	10Ω 1/16W J	
R1635	-----	MG RESISTOR	100kΩ 1/16W D		R2093	-----	MG RESISTOR	10Ω 1/16W J	
R1636	-----	MG RESISTOR	10Ω 1/16W J		R2094	-----	MG RESISTOR	10Ω 1/16W J	
R1637	-----	MG RESISTOR	15kΩ 1/16W D		R2095	-----	MG RESISTOR	10Ω 1/16W J	
R1638	-----	MG RESISTOR	680Ω 1/16W D		R2096	-----	MG RESISTOR	0Ω 1/16W J	
R1639	-----	MG RESISTOR	0Ω 1/16W J		R2097	-----	MG RESISTOR	0Ω 1/16W J	
R1640	-----	MG RESISTOR	6.8kΩ 1/16W D		R2098	-----	MG RESISTOR	10Ω 1/16W J	
R1641	-----	MG RESISTOR	47kΩ 1/16W D		R2099	-----	MG RESISTOR	10Ω 1/16W J	
R1642	-----	MG RESISTOR	100kΩ 1/16W D		R2100	-----	MG RESISTOR	10Ω 1/16W J	
R1643	-----	MG RESISTOR	100kΩ 1/16W D		R2101	-----	MG RESISTOR	10Ω 1/16W J	
R1644	-----	MG RESISTOR	1MΩ 1/16W J		R2102	-----	MG RESISTOR	10Ω 1/16W J	
R1645	-----	MG RESISTOR	1MΩ 1/16W J		R2103	-----	MG RESISTOR	10Ω 1/16W J	
R1646	-----	MG RESISTOR	100kΩ 1/16W D		R2104	-----	MG RESISTOR	0Ω 1/16W J	
R1647	-----	MG RESISTOR	1MΩ 1/16W J		R2105	-----	MG RESISTOR	0Ω 1/16W J	
R1648	-----	MG RESISTOR	100kΩ 1/16W D		R2106	-----	MG RESISTOR	9.1kΩ 1/16W D	
R1649	-----	MG RESISTOR	1MΩ 1/16W J		R2107	-----	MG RESISTOR	4.7kΩ 1/16W D	
R1650	-----	MG RESISTOR	10Ω 1/16W J		R2108	-----	MG RESISTOR	27kΩ 1/16W D	
R1651	-----	MG RESISTOR	0Ω 1/16W J		R2109	-----	MG RESISTOR	4.7kΩ 1/16W D	
R2001	-----	MG RESISTOR	0Ω 1/16W J		R2110	-----	MG RESISTOR	4.7kΩ 1/16W D	
R2002	-----	MG RESISTOR	1MΩ 1/16W J		R2111	-----	MG RESISTOR	6.8kΩ 1/16W D	
R2003	-----	MG RESISTOR	47kΩ 1/16W D		R2112	-----	MG RESISTOR	1kΩ 1/16W D	
R2004	-----	MG RESISTOR	22Ω 1/16W J		R2114	-----	MG RESISTOR	330Ω 1/16W D	
R2005	-----	MG RESISTOR	0Ω 1/16W J		R2115	-----	MG RESISTOR	3.6kΩ 1/16W D	
R2006	-----	MG RESISTOR	1kΩ 1/16W D		R2116	-----	MG RESISTOR	16kΩ 1/16W D	
R2007	-----	MG RESISTOR	0Ω 1/16W J		R2117	-----	MG RESISTOR	22Ω 1/16W J	
R2008	-----	MG RESISTOR	4.7kΩ 1/16W D		R2118	-----	MG RESISTOR	22Ω 1/16W J	
R2009	-----	MG RESISTOR	4.7kΩ 1/16W D		R2119	-----	MG RESISTOR	12kΩ 1/16W D	
R2014	-----	MG RESISTOR	0Ω 1/16W J		R2120	-----	MG RESISTOR	0Ω 1/16W J	
R2015	-----	MG RESISTOR	10kΩ 1/16W D		R2121	-----	MG RESISTOR	0Ω 1/16W J	
R2016	-----	MG RESISTOR	22kΩ 1/16W D		R2122	-----	MG RESISTOR	100Ω 1/16W D	
R2017	-----	MG RESISTOR	22kΩ 1/16W D		R2123	-----	MG RESISTOR	100Ω 1/16W D	
R2018	-----	MG RESISTOR	22kΩ 1/16W D		R2124	-----	MG RESISTOR	100Ω 1/16W D	
R2019	-----	MG RESISTOR	47kΩ 1/16W D		R2125	-----	MG RESISTOR	0Ω 1/16W J	
R2020	-----	MG RESISTOR	33kΩ 1/16W D		R2126	-----	MG RESISTOR	0Ω 1/16W J	
R2021	-----	MG RESISTOR	33kΩ 1/16W D		R2127	-----	MG RESISTOR	33kΩ 1/16W D	
R2022	-----	MG RESISTOR	33kΩ 1/16W D		R2128	-----	MG RESISTOR	22kΩ 1/16W D	
R2024	-----	MG RESISTOR	0Ω 1/16W J		R2129	-----	MG RESISTOR	470Ω 1/16W D	

△ Symbol No.	Part No.	Part Name	Description	Local	△ Symbol No.	Part No.	Part Name	Description	Local
R2131	-----	MG RESISTOR	100kΩ 1/16W D		R3028	-----	MG RESISTOR	10kΩ 1/16W D	HM200U, HM200E
R2132	-----	MG RESISTOR	4.7kΩ 1/16W D		R3029	-----	MG RESISTOR	33Ω 1/16W D	
R2133	-----	MG RESISTOR	4.7kΩ 1/16W D		R3030	-----	MG RESISTOR	33Ω 1/16W D	HM200U, HM200E
R2134	-----	MG RESISTOR	0Ω 1/16W J		R3031	-----	MG RESISTOR	240Ω 1/16W D	HM200U, HM200E
R2135	-----	MG RESISTOR	0Ω 1/16W J		R3032	-----	MG RESISTOR	470Ω 1/16W D	HM200U, HM200E
R2136	-----	MG RESISTOR	0Ω 1/16W J		R3033	-----	MG RESISTOR	10kΩ 1/16W D	
R2137	-----	MG RESISTOR	0Ω 1/16W J		R3036	-----	MG RESISTOR	82Ω 1/16W J	
R2138	-----	MG RESISTOR	0Ω 1/16W J		R3500	-----	MG RESISTOR	10kΩ 1/16W D	
R2139	-----	MG RESISTOR	0Ω 1/16W J		R3502	-----	MG RESISTOR	0Ω 1/16W J	
R2140	-----	MG RESISTOR	0Ω 1/16W J	HM170U, HM170E	R3503	-----	MG RESISTOR	56Ω 1/16W D	
R2141	-----	MG RESISTOR	100Ω 1/16W D		R3508	-----	MG RESISTOR	4.7kΩ 1/16W D	
R2142	-----	MG RESISTOR	100Ω 1/16W D		R3509	-----	MG RESISTOR	4.7kΩ 1/16W D	
R2143	-----	MG RESISTOR	0Ω 1/16W J		R3510	-----	MG RESISTOR	4.7kΩ 1/16W D	
R2144	-----	MG RESISTOR	0Ω 1/16W J		R3511	-----	MG RESISTOR	4.7kΩ 1/16W D	
R2145	-----	MG RESISTOR	10kΩ 1/16W D		R3512	-----	MG RESISTOR	4.7kΩ 1/16W D	
R2146	-----	MG RESISTOR	47Ω 1/16W J		R3513	-----	MG RESISTOR	10kΩ 1/16W D	
R2147	-----	MG RESISTOR	0Ω 1/16W J		R3515	-----	MG RESISTOR	10kΩ 1/16W D	
R2148	-----	MG RESISTOR	1.8kΩ 1/16W D		R3516	-----	MG RESISTOR	4.7kΩ 1/16W D	
R2149	-----	MG RESISTOR	2.2kΩ 1/16W D		R3517	-----	MG RESISTOR	56Ω 1/16W D	
R2500	-----	MG RESISTOR	240Ω 1/16W D		R3518	-----	MG RESISTOR	2.2kΩ 1/16W D	
R2501	-----	MG RESISTOR	4.7kΩ 1/16W D		R3519	-----	MG RESISTOR	10kΩ 1/16W D	
R2502	-----	MG RESISTOR	4.7kΩ 1/16W D		R3520	-----	MG RESISTOR	2.2kΩ 1/16W D	
R2505	-----	MG RESISTOR	0Ω 1/16W J		R3521	-----	MG RESISTOR	1.5kΩ 1/16W D	
R2506	-----	MG RESISTOR	0Ω 1/16W J		R3522	-----	MG RESISTOR	4.7kΩ 1/16W D	
R2512	-----	MG RESISTOR	10kΩ 1/16W D		R3523	-----	MG RESISTOR	56Ω 1/16W D	
R2523	-----	MG RESISTOR	100Ω 1/16W D		R3524	-----	MG RESISTOR	56Ω 1/16W D	
R2524	-----	MG RESISTOR	100Ω 1/16W D		R3525	-----	MG RESISTOR	56Ω 1/16W D	
R2525	-----	MG RESISTOR	100Ω 1/16W D		R3526	-----	MG RESISTOR	56Ω 1/16W D	
R2528	-----	MG RESISTOR	470Ω 1/16W D		R3527	-----	MG RESISTOR	56Ω 1/16W D	
R2529	-----	MG RESISTOR	47kΩ 1/16W D		R3528	-----	MG RESISTOR	56Ω 1/16W D	
R2530	-----	MG RESISTOR	47kΩ 1/16W D		R3529	-----	MG RESISTOR	56Ω 1/16W D	
R2533	-----	MG RESISTOR	10kΩ 1/16W D		R3530	-----	MG RESISTOR	56Ω 1/16W D	
R2534	-----	MG RESISTOR	0Ω 1/16W J	HM200U, HM200E	R3532	-----	MG RESISTOR	10kΩ 1/16W D	
R2537	-----	MG RESISTOR	27kΩ 1/16W D	HM200U, HM200E	R3533	-----	MG RESISTOR	56Ω 1/16W D	
R2538	-----	MG RESISTOR	0Ω 1/16W J		R3534	-----	MG RESISTOR	10kΩ 1/16W D	
R2539	-----	MG RESISTOR	39kΩ 1/16W D	HM200U, HM200E	R3535	-----	MG RESISTOR	56Ω 1/16W D	
R2540	-----	MG RESISTOR	0Ω 1/16W J		R3536	-----	MG RESISTOR	4.7kΩ 1/16W D	
R2541	-----	MG RESISTOR	27kΩ 1/16W D	HM200U, HM200E	R3537	-----	MG RESISTOR	4.7kΩ 1/16W D	
R2542	-----	MG RESISTOR	0Ω 1/16W J	HM200U, HM200E	R3539	-----	MG RESISTOR	10kΩ 1/16W D	HM200U, HM200E
R2543	-----	MG RESISTOR	5.1kΩ 1/16W D	HM200U, HM200E	R3540	-----	MG RESISTOR	12kΩ 1/16W D	HM200U, HM200E
R2544	-----	MG RESISTOR	47kΩ 1/16W D		R3541	-----	MG RESISTOR	10kΩ 1/16W D	
R2547	-----	MG RESISTOR	10kΩ 1/16W D	HM200U, HM200E	R3542	-----	MG RESISTOR	10kΩ 1/16W D	
R2550	-----	MG RESISTOR	47kΩ 1/16W D		R3543	-----	MG RESISTOR	10kΩ 1/16W D	
R2552	-----	MG RESISTOR	0Ω 1/16W J		R3544	-----	MG RESISTOR	10kΩ 1/16W D	
R2553	-----	MG RESISTOR	0Ω 1/16W J		R3545	-----	MG RESISTOR	10kΩ 1/16W D	
R2555	-----	MG RESISTOR	0Ω 1/16W J		R3546	-----	MG RESISTOR	10kΩ 1/16W D	
R2557	-----	MG RESISTOR	47kΩ 1/16W D		R3547	-----	MG RESISTOR	10kΩ 1/16W D	
R2558	-----	MG RESISTOR	0Ω 1/16W J	HM200U, HM200E	R3548	-----	MG RESISTOR	10kΩ 1/16W D	
R2559	-----	MG RESISTOR	47kΩ 1/16W D		R3549	-----	MG RESISTOR	0Ω 1/16W J	HM170U, HM170E
R2560	-----	MG RESISTOR	100Ω 1/16W D	HM200U, HM200E	R5000	-----	MG RESISTOR	0Ω 1/16W J	
R2562	-----	MG RESISTOR	10kΩ 1/16W D		R5001	-----	MG RESISTOR	0Ω 1/16W J	
R2563	-----	MG RESISTOR	0Ω 1/16W J		R5002	-----	MG RESISTOR	47kΩ 1/16W D	
R2564	-----	MG RESISTOR	0Ω 1/16W J		R5004	-----	MG RESISTOR	0Ω 1/16W J	
R3001	-----	MG RESISTOR	0Ω 1/16W J		R5005	-----	MG RESISTOR	100Ω 1/16W D	
R3002	-----	MG RESISTOR	330Ω 1/16W D		R5006	-----	MG RESISTOR	0Ω 1/16W J	
R3003	-----	MG RESISTOR	47Ω 1/16W J		R5007	-----	MG RESISTOR	0Ω 1/16W J	
R3004	-----	MG RESISTOR	0Ω 1/16W J		R5008	-----	MG RESISTOR	0Ω 1/16W J	
R3005	-----	MG RESISTOR	120Ω 1/16W D		R5009	-----	MG RESISTOR	0Ω 1/16W J	
R3006	-----	MG RESISTOR	120Ω 1/16W D		R5010	-----	MG RESISTOR	4.7kΩ 1/16W D	
R3007	-----	MG RESISTOR	330Ω 1/16W D		R5011	-----	MG RESISTOR	0Ω 1/16W J	
R3008	-----	MG RESISTOR	5.6kΩ 1/16W D		R5012	-----	MG RESISTOR	0Ω 1/16W J	
R3009	-----	MG RESISTOR	10kΩ 1/16W D		R5013	-----	MG RESISTOR	0Ω 1/16W J	
R3010	-----	MG RESISTOR	10kΩ 1/16W D		R5014	-----	MG RESISTOR	0Ω 1/16W J	
R3011	-----	MG RESISTOR	820Ω 1/16W D		R5015	-----	MG RESISTOR	0Ω 1/16W J	
R3012	-----	MG RESISTOR	0Ω 1/16W J		R5016	-----	MG RESISTOR	4.7kΩ 1/16W D	
R3014	-----	MG RESISTOR	5.6kΩ 1/16W D		R5017	-----	MG RESISTOR	4.7kΩ 1/16W D	
R3015	-----	MG RESISTOR	10kΩ 1/16W D		R5018	-----	MG RESISTOR	0Ω 1/16W J	
R3016	-----	MG RESISTOR	330Ω 1/16W D		R5019	-----	MG RESISTOR	4.7kΩ 1/16W D	
R3017	-----	MG RESISTOR	47Ω 1/16W J		R5020	-----	MG RESISTOR	4.7kΩ 1/16W D	
R3018	-----	MG RESISTOR	10kΩ 1/16W D		R5021	-----	MG RESISTOR	100kΩ 1/16W D	
R3019	-----	MG RESISTOR	820Ω 1/16W D		R5022	-----	MG RESISTOR	0Ω 1/16W J	
R3020	-----	MG RESISTOR	820Ω 1/16W D		R5023	-----	MG RESISTOR	100Ω 1/16W D	
R3021	-----	MG RESISTOR	820Ω 1/16W D		R5024	-----	MG RESISTOR	100Ω 1/16W D	
R3022	-----	MG RESISTOR	120Ω 1/16W D		R5025	-----	MG RESISTOR	10kΩ 1/16W D	
R3023	-----	MG RESISTOR	120Ω 1/16W D		R5026	-----	MG RESISTOR	4.7kΩ 1/16W D	
R3024	-----	MG RESISTOR	330Ω 1/16W D		R5027	-----	MG RESISTOR	3.3Ω 1/16W J	
R3025	-----	MG RESISTOR	0Ω 1/16W J		R5028	-----	MG RESISTOR	100Ω 1/16W D	
R3027	-----	MG RESISTOR	0Ω 1/16W J		R5029	-----	MG RESISTOR	1.5kΩ 1/16W D	

△ Symbol No.	Part No.	Part Name	Description	Local	△ Symbol No.	Part No.	Part Name	Description	Local
R5030	-----	MG RESISTOR	1.2kΩ 1/16W D		R5567	-----	MG RESISTOR	2.2kΩ 1/16W D	
R5031	-----	MG RESISTOR	18kΩ 1/16W D		R5568	-----	MG RESISTOR	12kΩ 1/16W D	
R5032	-----	MG RESISTOR	47kΩ 1/16W D		R5569	-----	MG RESISTOR	12kΩ 1/16W D	
R5033	-----	MG RESISTOR	47kΩ 1/16W D		R5570	-----	MG RESISTOR	15kΩ 1/16W D	
R5034	-----	MG RESISTOR	1kΩ 1/16W D		R5571	-----	MG RESISTOR	2.2kΩ 1/16W D	
R5035	-----	MG RESISTOR	2.2kΩ 1/16W D		R5572	-----	MG RESISTOR	100kΩ 1/16W D	
R5036	-----	MG RESISTOR	47kΩ 1/16W D		R5573	-----	MG RESISTOR	100kΩ 1/16W D	
R5037	-----	MG RESISTOR	47kΩ 1/16W D		R5574	-----	MG RESISTOR	15kΩ 1/16W D	
R5038	-----	MG RESISTOR	4.7kΩ 1/16W D		R5575	-----	MG RESISTOR	100kΩ 1/16W D	
R5039	-----	MG RESISTOR	47kΩ 1/16W D		R5576	-----	MG RESISTOR	100kΩ 1/16W D	
R5040	-----	MG RESISTOR	560Ω 1/16W D		R5577	-----	MG RESISTOR	1kΩ 1/16W D	
R5041	-----	MG RESISTOR	0Ω 1/16W J		R5578	-----	MG RESISTOR	1kΩ 1/16W D	
R5042	-----	MG RESISTOR	0Ω 1/16W J		R5579	-----	MG RESISTOR	10Ω 1/16W J	
R5043	-----	MG RESISTOR	0Ω 1/16W J		R5580	-----	MG RESISTOR	47kΩ 1/16W D	
R5044	-----	MG RESISTOR	0Ω 1/16W J		R5581	-----	MG RESISTOR	1kΩ 1/16W D	
R5045	-----	MG RESISTOR	47kΩ 1/16W D		R5582	-----	MG RESISTOR	1kΩ 1/16W D	
R5046	-----	MG RESISTOR	10kΩ 1/16W D		R5583	-----	MG RESISTOR	15Ω 1/16W D	
R5047	-----	MG RESISTOR	47kΩ 1/16W D		R5584	-----	MG RESISTOR	15Ω 1/16W D	
R5048	-----	MG RESISTOR	47kΩ 1/16W D		R5585	-----	MG RESISTOR	220kΩ 1/16W D	
R5500	-----	MG RESISTOR	0Ω 1/16W J		R5586	-----	MG RESISTOR	0Ω 1/16W J	
R5501	-----	MG RESISTOR	2.2kΩ 1/16W D		R5587	-----	MG RESISTOR	0Ω 1/16W J	
R5502	-----	MG RESISTOR	47kΩ 1/16W D		R5588	-----	MG RESISTOR	0Ω 1/16W J	
R5503	-----	MG RESISTOR	3.3kΩ 1/16W D		R5589	-----	MG RESISTOR	0Ω 1/16W J	
R5504	-----	MG RESISTOR	3.3kΩ 1/16W D		R5590	-----	MG RESISTOR	220kΩ 1/16W D	
R5505	-----	MG RESISTOR	3.3kΩ 1/16W D		R5591	-----	MG RESISTOR	2.2MΩ 1/16W J	
R5506	-----	MG RESISTOR	3.3kΩ 1/16W D		R5593	-----	MG RESISTOR	15kΩ 1/16W D	
R5507	-----	MG RESISTOR	2.2kΩ 1/16W D		R5594	-----	MG RESISTOR	15kΩ 1/16W D	
R5508	-----	MG RESISTOR	47kΩ 1/16W D		R5595	-----	MG RESISTOR	100kΩ 1/16W D	
R5509	-----	MG RESISTOR	3.3kΩ 1/16W D		R5596	-----	MG RESISTOR	10kΩ 1/16W D	
R5510	-----	MG RESISTOR	3.3kΩ 1/16W D		R6000	-----	MG RESISTOR	10kΩ 1/16W D	
R5511	-----	MG RESISTOR	33kΩ 1/16W D		R6001	-----	MG RESISTOR	100Ω 1/16W D	
R5512	-----	MG RESISTOR	33kΩ 1/16W D		R6002	-----	MG RESISTOR	100Ω 1/16W D	
R5513	-----	MG RESISTOR	3.3kΩ 1/16W D		R6003	-----	MG RESISTOR	82Ω 1/16W J	
R5514	-----	MG RESISTOR	3.3kΩ 1/16W D		R6005	-----	MG RESISTOR	100Ω 1/16W D	
R5515	-----	MG RESISTOR	4.7kΩ 1/16W D		R6006	-----	MG RESISTOR	100Ω 1/16W D	
R5516	-----	MG RESISTOR	4.7kΩ 1/16W D		R6007	-----	MG RESISTOR	100Ω 1/16W D	
R5517	-----	MG RESISTOR	68kΩ 1/16W D		R6008	-----	MG RESISTOR	100Ω 1/16W D	
R5518	-----	MG RESISTOR	68kΩ 1/16W D		R6009	-----	MG RESISTOR	100Ω 1/16W D	
R5519	-----	MG RESISTOR	3.3kΩ 1/16W D		R6010	-----	MG RESISTOR	0Ω 1/16W J	
R5520	-----	MG RESISTOR	3.3kΩ 1/16W D		R6011	-----	MG RESISTOR	120Ω 1/16W D	
R5521	-----	MG RESISTOR	3.3kΩ 1/16W D		R6012	-----	MG RESISTOR	120Ω 1/16W D	
R5522	-----	MG RESISTOR	3.3kΩ 1/16W D		R6013	-----	MG RESISTOR	100Ω 1/16W D	
R5523	-----	MG RESISTOR	100Ω 1/16W D		R6014	-----	MG RESISTOR	120Ω 1/16W D	
R5524	-----	MG RESISTOR	560Ω 1/16W D		R6015	-----	MG RESISTOR	120Ω 1/16W D	
R5525	-----	MG RESISTOR	2.2kΩ 1/16W D		R6016	-----	MG RESISTOR	120Ω 1/16W D	
R5526	-----	MG RESISTOR	100Ω 1/16W D		R6017	-----	MG RESISTOR	100Ω 1/16W D	
R5529	-----	MG RESISTOR	2.2kΩ 1/16W D		R6018	-----	MG RESISTOR	120Ω 1/16W D	
R5532	-----	MG RESISTOR	2.2kΩ 1/16W D		R6019	-----	MG RESISTOR	0Ω 1/16W J	
R5533	-----	MG RESISTOR	15kΩ 1/16W D		R6020	-----	MG RESISTOR	0Ω 1/16W J	
R5534	-----	MG RESISTOR	15kΩ 1/16W D		R6021	-----	MG RESISTOR	220Ω 1/16W D	
R5537	-----	MG RESISTOR	470Ω 1/16W D		R6022	-----	MG RESISTOR	470Ω 1/16W D	
R5538	-----	MG RESISTOR	470Ω 1/16W D		R6023	-----	MG RESISTOR	470Ω 1/16W D	
R5539	-----	MG RESISTOR	470Ω 1/16W D		R6024	-----	MG RESISTOR	470Ω 1/16W D	
R5540	-----	MG RESISTOR	0Ω 1/16W J		R6025	-----	MG RESISTOR	0Ω 1/16W J	
R5541	-----	MG RESISTOR	33kΩ 1/16W D		R6026	-----	MG RESISTOR	4.7kΩ 1/16W D	
R5542	-----	MG RESISTOR	22Ω 1/16W J		R6027	-----	MG RESISTOR	100Ω 1/16W D	
R5543	-----	MG RESISTOR	3.3kΩ 1/16W D		R6028	-----	MG RESISTOR	100Ω 1/16W D	
R5544	-----	MG RESISTOR	22Ω 1/16W J		R6029	-----	MG RESISTOR	100Ω 1/16W D	
R5545	-----	MG RESISTOR	270kΩ 1/16W D		R6030	-----	MG RESISTOR	470Ω 1/16W D	
R5546	-----	MG RESISTOR	68kΩ 1/16W D		R6033	-----	MG RESISTOR	4.7kΩ 1/16W D	
R5547	-----	MG RESISTOR	4.7kΩ 1/16W D		R6040	-----	MG RESISTOR	0Ω 1/16W J	
R5548	-----	MG RESISTOR	220kΩ 1/16W D		R6041	-----	MG RESISTOR	220Ω 1/16W D	
R5549	-----	MG RESISTOR	4.7kΩ 1/16W D		R6042	-----	MG RESISTOR	220Ω 1/16W D	
R5550	-----	MG RESISTOR	0Ω 1/16W J		R6047	-----	MG RESISTOR	10kΩ 1/16W D	
R5551	-----	MG RESISTOR	100kΩ 1/16W D		R6048	-----	MG RESISTOR	0Ω 1/16W J	
R5552	-----	MG RESISTOR	47kΩ 1/16W D		R6056	-----	MG RESISTOR	0Ω 1/16W J	
R5553	-----	MG RESISTOR	33kΩ 1/16W D		R6059	-----	MG RESISTOR	0Ω 1/16W J	HM200U, HM200E
R5554	-----	MG RESISTOR	33kΩ 1/16W D		R6060	-----	MG RESISTOR	0Ω 1/16W J	
R5555	-----	MG RESISTOR	15kΩ 1/16W D		R6061	-----	MG RESISTOR	0Ω 1/16W J	
R5556	-----	MG RESISTOR	10kΩ 1/16W D		R6062	-----	MG RESISTOR	0Ω 1/16W J	
R5558	-----	MG RESISTOR	470Ω 1/16W D		R6063	-----	MG RESISTOR	0Ω 1/16W J	
R5559	-----	MG RESISTOR	470Ω 1/16W D		R6064	-----	MG RESISTOR	220kΩ 1/16W D	
R5561	-----	MG RESISTOR	100kΩ 1/16W D		R6065	-----	MG RESISTOR	220kΩ 1/16W D	
R5562	-----	MG RESISTOR	15kΩ 1/16W D		R6066	-----	MG RESISTOR	2.2MΩ 1/16W J	
R5563	-----	MG RESISTOR	15kΩ 1/16W D		R6067	-----	MG RESISTOR	2.2MΩ 1/16W J	
R5564	-----	MG RESISTOR	27kΩ 1/16W D		R6068	-----	MG RESISTOR	0Ω 1/16W J	
R5565	-----	MG RESISTOR	27kΩ 1/16W D		R6069	-----	MG RESISTOR	0Ω 1/16W J	
R5566	-----	MG RESISTOR	2.2kΩ 1/16W D		R6070	-----	MG RESISTOR	0Ω 1/16W J	



△ Symbol No.	Part No.	Part Name	Description	Local	△ Symbol No.	Part No.	Part Name	Description	Local
R6078	-----	C CAPACITOR	1000pF 50V K		K3006	-----	CHIP FERRITE		
R6079	-----	MG RESISTOR	0Ω 1/16W J		K3500	-----	CHIP FERRITE		
R6082	-----	MG RESISTOR	0Ω 1/16W J		K3501	-----	CHIP FERRITE		
L1000	-----	INDUCTOR	6.2uH M		K3503	-----	CHIP FERRITE		
L1509	-----	CHIP INDUCTOR	22uH		K3504	-----	CHIP FERRITE		
L1510	-----	CHIP INDUCTOR	10uH		K3505	-----	CHIP FERRITE		HM200U, HM200E
L1511	-----	CHIP INDUCTOR	22uH		K3506	-----	CHIP FERRITE		HM200U, HM200E
L1512	-----	CHIP INDUCTOR	68uH		K3507	-----	CHIP FERRITE		
L1513	-----	CHIP INDUCTOR	10uH		K3508	-----	CHIP FERRITE		
L1514	-----	CHIP INDUCTOR	4.7uH		K5000	-----	CHIP FERRITE		
L1515	-----	CHIP INDUCTOR	3.6uH		K5001	-----	CHIP FERRITE		
L1516	-----	CHIP INDUCTOR	4.7uH		K5002	-----	CHIP FERRITE		
L1517	-----	CHIP INDUCTOR	4.7uH		K5003	-----	CHIP FERRITE		
L2501	-----	CHIP INDUCTOR	33uH	HM200U, HM200E	K5004	-----	CHIP FERRITE		
L3000	-----	M.CHIP INDUCTOR	10uH		K5005	-----	CHIP FERRITE		
L3001	-----	CHIP INDUCTOR	22uH		K5500	-----	CHIP FERRITE		
L5500	-----	CHIP INDUCTOR	10uH		K5501	-----	CHIP FERRITE		
L5501	-----	CHIP INDUCTOR	10uH		K5502	-----	CHIP FERRITE		
L5502	-----	CHIP INDUCTOR	10uH		K6000	-----	CHIP FERRITE		
L5503	-----	CHIP INDUCTOR	10uH		K6001	-----	CHIP FERRITE		
					K6003	-----	CHIP FERRITE		
					K6004	-----	CHIP FERRITE		
CN101	QGF0321F1-51X	FPC CONNE	FFC/FPC (1-51)		K6008	-----	CHIP FERRITE		
CN102	QGF0321F1-51X	FPC CONNE	FFC/FPC (1-51)		K6009	-----	CHIP FERRITE		
CN103	QGF0587F1-12X	FFC/FPC CONNE	FFC/FPC (1-12)		K6012	-----	CHIP FERRITE		
CN104	QGA1001F1-04X	W TO B CONNE	W-B (1-4)		K6013	-----	CHIP FERRITE		
CN105	QGA1002F1-11X	W TO B CONNE	W-B (1-11)		K6014	-----	CHIP FERRITE		
CN106	QGA1002F1-08X	W TO B CONNE	W-B (1-8)		K6015	-----	CHIP FERRITE		
CN107	QGF0587F1-26X	FFC/FPC CONNE	FFC/FPC (1-26)		K6016	-----	CHIP FERRITE		
CN108	EA710AE-2005A	W TO B CONNE		HM200U, HM200E	LC2500	-----	EMI FILTER		
CN109	EC710AM-0508A	FFC FPC CONNE			LC2501	-----	EMI FILTER		HM200U, HM200E
CN110	EC720AZ-0531A	FFC FPC CONNE			LC6000	-----	EMI FILTER		
CN111	QGA0402C1-20W	W TO B CONNE	W-B (1-20)	HM200U, HM200E	LC6001	-----	EMI FILTER		
CN112	QGF0310F2-35W	FFC/FPC CONNE	FFC/FPC (1-35)		LC6002	-----	EMI FILTER		
CN113	QGF0319F2-61X	FPC CONNE	FFC/FPC (1-61)		LC6003	-----	EMI FILTER		
CN114	EC720AA-0524A	FFC FPC CONNE			LC6004	-----	EMI FILTER		
CN115	QGA0402C1-40W	W TO B CONNE	W-B (1-40)		△ TH6000	-----	P THERMISTOR	33Ω	
CN116	QGA1002C1-03X	W TO B CONNE	W-B (1-3)		△ TH6001	-----	P THERMISTOR	33Ω	
CN199	QGA0302C1-50W	W TO B CONNE	W-B (1-50)		TH6002	-----	P THERMISTOR		
△ F1000	NMFZ032-4R0X-H FUSE		4A		X2000	NAX1178-001X	CRYSTAL	48MHz	
△ F1001	NMFZ032-4R0X-H FUSE		4A		X3000	NAX1155-001X	CXO		
△ F5500	NMFZ031-R50X-H FUSE		0.5A						
K1511	-----	CHIP FERRITE							
K1512	-----	CHIP FERRITE							
K1513	-----	CHIP FERRITE							
K1514	-----	CHIP FERRITE							
K1515	-----	CHIP FERRITE							
K1516	-----	CHIP FERRITE							
K1518	-----	CHIP FERRITE							
K1519	-----	CHIP FERRITE							
K1520	-----	CHIP FERRITE							
K1521	-----	CHIP FERRITE							
K1522	-----	CHIP FERRITE							
K1523	-----	CHIP FERRITE							
K1524	-----	CHIP FERRITE							
K1525	-----	CHIP FERRITE							
K2002	-----	CHIP FERRITE							
K2003	-----	CHIP FERRITE							
K2004	-----	CHIP FERRITE							
K2005	-----	CHIP FERRITE							
K2006	-----	CHIP FERRITE							
K2008	-----	CHIP FERRITE							
K2009	-----	CHIP FERRITE							
K2010	-----	CHIP FERRITE							
K2011	-----	CHIP FERRITE							
K2015	-----	CHIP FERRITE							
K2500	-----	CHIP FERRITE							
K2501	-----	CHIP FERRITE							
K2502	-----	CHIP FERRITE							
K2503	-----	CHIP FERRITE							
K2505	-----	MG RESISTOR	0Ω 1/16W J	HM200U, HM200E					
K2506	-----	CHIP FERRITE							
K2507	-----	CHIP FERRITE		HM200U, HM200E					
K3000	-----	CHIP FERRITE							
K3001	-----	CHIP FERRITE							
K3002	-----	CHIP FERRITE							
K3003	-----	CHIP FERRITE							
K3004	-----	CHIP FERRITE		HM200U, HM200E					

## HDMI BOARD ASSEMBLY PARTS LIST

### K7P-0070-002

Block No. [0][2]

△ Symbol No.	Part No.	Part Name	Description	Local
PW1	K7P-0070-002	HDMI BOARD ASSEMBLY		
Q7000	-----	PHOTO TRANSISTOR		
Q7001	-----	FET		
Q7003	-----	FET		
Q7004	-----	DIGI TR ARRAY		
C7000	-----	C CAPACITOR	10uF 6.3V M	
C7002	-----	C CAPACITOR	1uF 10V K	
C7004	-----	C CAPACITOR	1uF 10V K	
R7000	-----	MG RESISTOR	0Ω 1/16W J	
R7001	-----	MG RESISTOR	180kΩ 1/16W D	
R7002	-----	MG RESISTOR	27kΩ 1/16W D	
R7006	-----	MG RESISTOR	2.2kΩ 1/16W D	
R7007	-----	MG RESISTOR	4.7kΩ 1/16W D	
R7009	-----	MG RESISTOR	0Ω 1/16W J	
R7010	-----	MG RESISTOR	2.2kΩ 1/16W D	
R7011	-----	MG RESISTOR	0Ω 1/16W J	
CN210	EC720AZ-0531A	FFC FPC CONNE		
J7000	NNZ0272-001X	HDMI CONNECTOR		
J7001	NNZ0170-001X	USB CONNECTOR		
K7000	-----	CHIP FERRITE		

## SDI BOARD ASSEMBLY PARTS LIST

K7P-0070-003(GY-HM200U,GY-HM200E)

Block No. [0][3]

△ Symbol No.	Part No.	Part Name	Description	Local
PW1	K7P-0070-003	SDI BOARD ASSEMBLY		
IC8000	-----	IC		
C8000	-----	C CAPACITOR	0.1uF 10V K	
C8001	-----	C CAPACITOR	0.01uF 16V K	
C8002	-----	C CAPACITOR	0.01uF 16V K	
C8003	-----	C CAPACITOR	0.01uF 16V K	
C8004	-----	C CAPACITOR	0.01uF 16V K	
C8005	-----	C CAPACITOR	0.01uF 16V K	
C8006	-----	C CAPACITOR	22uF 6.3V M	
C8007	-----	C CAPACITOR	4.7uF 10V K	
C8008	-----	C CAPACITOR	4.7uF 10V K	
C8009	-----	C CAPACITOR	1uF 10V K	
C8010	-----	C CAPACITOR	1uF 10V K	
C8011	-----	C CAPACITOR	4.7uF 10V K	
C8012	-----	C CAPACITOR	4.7uF 10V K	
R8000	-----	MG RESISTOR	49.9Ω 1/16W D	
R8001	-----	MG RESISTOR	49.9Ω 1/16W D	
R8002	-----	MG RESISTOR	9.1kΩ 1/16W D	
R8003	-----	MG RESISTOR	820Ω 1/16W D	
R8004	-----	MG RESISTOR	75Ω 1/16W D	
R8005	-----	MG RESISTOR	75Ω 1/16W D	
R8006	-----	MG RESISTOR	75Ω 1/16W D	
R8007	-----	MG RESISTOR	75Ω 1/16W D	
L8000	-----	M.CHIP INDUCTOR	5.6nH	
CN311	QGA0402C1-20W	W TO B CONNE	W-B (1-20)	
J8000	QNZ1082-001	BNC CONNECTOR		
K8000	-----	CHIP FERRITE		

## SD\_CARDA BOARD ASSEMBLY PARTS LIST

K7P-0071-001

Block No. [0][5]

△ Symbol No.	Part No.	Part Name	Description	Local
PW1	K7P-0071-001	SD_CARDA BOARD ASSEMBLY		
C901	-----	C CAPACITOR	0.1uF 16V K	
C902	-----	C CAPACITOR	10uF 6.3V M	
C917	-----	C CAPACITOR	1000pF 50V J	
R901	-----	MG RESISTOR	47Ω 1/16W D	
R902	-----	MG RESISTOR	47Ω 1/16W D	
R903	-----	MG RESISTOR	47Ω 1/16W D	
R904	-----	MG RESISTOR	47Ω 1/16W D	
R905	-----	MG RESISTOR	0Ω 1/16W J	
R906	-----	MG RESISTOR	47Ω 1/16W D	
R907	-----	MG RESISTOR	47Ω 1/16W D	
R908	-----	MG RESISTOR	47Ω 1/16W D	
R914	-----	MG RESISTOR	10kΩ 1/16W D	
R915	-----	MG RESISTOR	0Ω 1/16W J	
R916	-----	MG RESISTOR	0Ω 1/16W J	
R917	-----	MG RESISTOR	0Ω 1/16W J	
R918	-----	MG RESISTOR	0Ω 1/16W J	
R919	-----	MG RESISTOR	0Ω 1/16W J	
R920	-----	MG RESISTOR	0Ω 1/16W J	
CN515	EA710AU-0410A	W TO B CONNE		
CN517	QGF0587F1-06X	FFC/FPC CONNE	FFC/FPC (1-6)	
J901	NNZ0289-001X	SD CARD CONNE		
K901	-----	CHIP FERRITE		

## SD\_CARDB BOARD ASSEMBLY PARTS LIST

K7P-0071-002

Block No. [0][6]

△ Symbol No.	Part No.	Part Name	Description	Local
PW1	K7P-0071-002	SD_CARDB BOARD ASSEMBLY		
IC801	-----	IC		
C801	-----	C CAPACITOR	0.1uF 16V K	
C802	-----	C CAPACITOR	10uF 6.3V M	
C809	-----	C CAPACITOR	0.1uF 16V K	
C810	-----	C CAPACITOR	0.1uF 16V K	
C811	-----	C CAPACITOR	0.1uF 16V K	
C812	-----	C CAPACITOR	0.1uF 16V K	
C813	-----	C CAPACITOR	0.1uF 16V K	
C814	-----	C CAPACITOR	12pF 50V J	
C817	-----	C CAPACITOR	1000pF 50V J	
R801	-----	MG RESISTOR	47Ω 1/16W D	
R802	-----	MG RESISTOR	47Ω 1/16W D	
R803	-----	MG RESISTOR	47Ω 1/16W D	
R804	-----	MG RESISTOR	47Ω 1/16W D	
R805	-----	MG RESISTOR	0Ω 1/16W J	
R806	-----	MG RESISTOR	47Ω 1/16W D	
R807	-----	MG RESISTOR	47Ω 1/16W D	
R808	-----	MG RESISTOR	47Ω 1/16W D	
R814	-----	MG RESISTOR	10kΩ 1/16W D	
R815	-----	MG RESISTOR	0Ω 1/16W J	
R816	-----	MG RESISTOR	0Ω 1/16W J	
R817	-----	MG RESISTOR	0Ω 1/16W J	
R818	-----	MG RESISTOR	0Ω 1/16W J	
R819	-----	MG RESISTOR	0Ω 1/16W J	
R820	-----	MG RESISTOR	0Ω 1/16W J	
R821	-----	MG RESISTOR	47kΩ 1/16W J	
R826	-----	MG RESISTOR	0Ω 1/16W J	
R828	-----	MG RESISTOR	0Ω 1/16W J	
R830	-----	MG RESISTOR	0Ω 1/16W J	
R831	-----	MG RESISTOR	0Ω 1/16W J	
R832	-----	MG RESISTOR	220Ω 1/16W J	
R833	-----	MG RESISTOR	0Ω 1/16W J	
R834	-----	MG RESISTOR	0Ω 1/16W J	
CN615	QGA0402C1-30W	W TO B CONNE	W-B (1-30)	
CN617	QGF0587F1-06X	FFC/FPC CONNE	FFC/FPC (1-6)	
J801	NNZ0289-001X	SD CARD CONNE		
K801	-----	CHIP FERRITE		
K802	-----	CHIP FERRITE		

## MONI BOARD ASSEMBLY PARTS LIST

K7P-0071-003

Block No. [0][7]

△ Symbol No.	Part No.	Part Name	Description	Local
PW1	K7P-0071-003	MONI BOARD ASSEMBLY		
IC201	-----	IC		
IC202	-----	IC		
IC203	-----	IC		
IC204	-----	IC		
D202	-----	SCHOTTKY DIODE		
D203	-----	LED		
D204	-----	LED		
D205	-----	LED		
D206	-----	LED		
D207	-----	LED		
D208	-----	LED		
D209	-----	LED		

△ Symbol No.	Part No.	Part Name	Description	Local	△ Symbol No.	Part No.	Part Name	Description	Local
D210	-----	LED			R243	-----	MG RESISTOR	56Ω 1/16W D	
D211	-----	SCHOTTKY DIODE			R244	-----	MG RESISTOR	56Ω 1/16W D	
D212	-----	SCHOTTKY DIODE			R245	-----	MG RESISTOR	56Ω 1/16W D	
C203	-----	C CAPACITOR	0.1uF 16V K		R246	-----	MG RESISTOR	56Ω 1/16W D	
C204	-----	C CAPACITOR	0.1uF 16V K		R247	-----	MG RESISTOR	56Ω 1/16W D	
C205	-----	C CAPACITOR	0.1uF 16V K		R248	-----	MG RESISTOR	56Ω 1/16W D	
C206	-----	C CAPACITOR	10uF 6.3V M		R249	-----	MG RESISTOR	56Ω 1/16W D	
C207	-----	C CAPACITOR	10uF 6.3V M		R250	-----	MG RESISTOR	56Ω 1/16W D	
C208	-----	C CAPACITOR	0.1uF 16V K		R251	-----	MG RESISTOR	56Ω 1/16W D	
C209	-----	C CAPACITOR	0.1uF 16V K		R252	-----	MG RESISTOR	56Ω 1/16W D	
C210	-----	C CAPACITOR	10uF 6.3V M		R253	-----	MG RESISTOR	56Ω 1/16W D	
C211	-----	C CAPACITOR	10uF 6.3V M		R254	-----	MG RESISTOR	0Ω 1/10W J	
C212	-----	C CAPACITOR	1uF 50V K		R255	-----	MG RESISTOR	0Ω 1/16W J	
C213	-----	C CAPACITOR	1uF 10V K		R256	-----	MG RESISTOR	100Ω 1/16W D	
C214	-----	C CAPACITOR	0.1uF 16V K		R257	-----	MG RESISTOR	100Ω 1/16W D	
C215	-----	C CAPACITOR	0.1uF 16V K		R258	-----	MG RESISTOR	100Ω 1/16W D	
C216	-----	C CAPACITOR	0.1uF 16V K		R259	-----	MG RESISTOR	100Ω 1/16W D	
C217	-----	C CAPACITOR	0.1uF 16V K		R260	-----	MG RESISTOR	100Ω 1/16W D	
C218	-----	C CAPACITOR	10uF 6.3V M		R261	-----	MG RESISTOR	100Ω 1/16W D	
C219	-----	C CAPACITOR	10uF 6.3V M		R262	-----	MG RESISTOR	100Ω 1/16W D	
C220	-----	C CAPACITOR	4.7uF 10V K		R264	-----	MG RESISTOR	0Ω 1/16W J	
C221	-----	C CAPACITOR	1uF 10V K		R265	-----	MG RESISTOR	56Ω 1/16W D	
C222	-----	C CAPACITOR	4.7uF 16V K		L201	-----	CHIP INDUCTOR	10uH	
C223	-----	C CAPACITOR	1uF 10V K		CN726	QGf0310F2-41W	FFC/FPC CONNE	FFC/FPC (1-41)	
C224	-----	C CAPACITOR	4.7uF 10V K		CN727	QGf0319F2-61X	FPC CONNE	FFC/FPC (1-61)	
C225	-----	C CAPACITOR	1uF 10V K		K201	-----	FERRITE BEADS		
C226	-----	C CAPACITOR	1uF 10V K		K202	-----	FERRITE BEADS		
C227	-----	C CAPACITOR	4.7uF 10V K		K203	-----	FERRITE BEADS		
C228	-----	C CAPACITOR	4.7uF 10V K		K204	-----	FERRITE BEADS		
C229	-----	C CAPACITOR	1uF 10V K		K205	-----	FERRITE BEADS		
C230	-----	C CAPACITOR	0.47uF 16V K		K206	-----	FERRITE BEADS		
C231	-----	C CAPACITOR	1uF 10V K		K207	-----	FERRITE BEADS		
C232	-----	C CAPACITOR	10uF 6.3V M		K208	-----	FERRITE BEADS		
C233	-----	C CAPACITOR	10uF 6.3V M		S201	NSW0198-001X	TACT SWITCH		
C234	-----	C CAPACITOR	0.1uF 16V K		S202	NSW0198-001X	TACT SWITCH		
C235	-----	C CAPACITOR	56pF 50V J		S203	NSW0297-002X	TACT SWITCH		
R201	-----	MG RESISTOR	0Ω 1/10W J						
R202	-----	MG RESISTOR	0Ω 1/16W J						
R203	-----	MG RESISTOR	0Ω 1/16W J						
R204	-----	MG RESISTOR	0Ω 1/16W J						
R205	-----	MG RESISTOR	0Ω 1/16W J						
R206	-----	MG RESISTOR	220Ω 1/16W D						
R207	-----	MG RESISTOR	0Ω 1/16W J						
R208	-----	MG RESISTOR	0Ω 1/16W J						
R210	-----	MG RESISTOR	3.3kΩ 1/16W D						
R211	-----	MG RESISTOR	3.3kΩ 1/16W D						
R212	-----	MG RESISTOR	3.3kΩ 1/16W D						
R213	-----	MG RESISTOR	3.3kΩ 1/16W D						
R214	-----	MG RESISTOR	3.3kΩ 1/16W D						
R215	-----	MG RESISTOR	3.3kΩ 1/16W D						
R216	-----	MG RESISTOR	3.3kΩ 1/16W D						
R217	-----	MG RESISTOR	0Ω 1/16W J						
R218	-----	MG RESISTOR	47kΩ 1/16W D						
R219	-----	MG RESISTOR	10kΩ 1/16W D						
R220	-----	MG RESISTOR	10Ω 1/16W D						
R221	-----	MG RESISTOR	100Ω 1/16W D						
R222	-----	MG RESISTOR	100Ω 1/16W D						
R223	-----	MG RESISTOR	100Ω 1/16W D						
R224	-----	MG RESISTOR	100Ω 1/16W D						
R225	-----	MG RESISTOR	100Ω 1/16W D						
R226	-----	MG RESISTOR	56Ω 1/16W D						
R227	-----	MG RESISTOR	56Ω 1/16W D						
R228	-----	MG RESISTOR	56Ω 1/16W D						
R229	-----	MG RESISTOR	56Ω 1/16W D						
R230	-----	MG RESISTOR	56Ω 1/16W D						
R231	-----	MG RESISTOR	56Ω 1/16W D						
R232	-----	MG RESISTOR	56Ω 1/16W D						
R233	-----	MG RESISTOR	56Ω 1/16W D						
R234	-----	MG RESISTOR	56Ω 1/16W D						
R235	-----	MG RESISTOR	56Ω 1/16W D						
R237	-----	MG RESISTOR	56Ω 1/16W D						
R238	-----	MG RESISTOR	56Ω 1/16W D						
R239	-----	MG RESISTOR	56Ω 1/16W D						
R240	-----	MG RESISTOR	56Ω 1/16W D						
R241	-----	MG RESISTOR	56Ω 1/16W D						
R242	-----	MG RESISTOR	56Ω 1/16W D						

## JACK BOARD ASSEMBLY PARTS LIST

### K7P-0071-004

Block No. [0][8]

△ Symbol No.	Part No.	Part Name	Description	Local
PW1	K7P-0071-004	JACK BOARD ASSEMBLY		
C101	-----	C CAPACITOR	1000pF 50V K	
C102	-----	C CAPACITOR	1000pF 50V K	
C103	-----	C CAPACITOR	1000pF 50V K	
C104	-----	C CAPACITOR	1000pF 50V K	
C105	-----	C CAPACITOR	1000pF 50V K	
C106	-----	C CAPACITOR	1000pF 50V K	
C107	-----	C CAPACITOR	180pF 50V J	
C108	-----	C CAPACITOR	180pF 50V J	
C109	-----	C CAPACITOR	180pF 50V J	
C110	-----	C CAPACITOR	180pF 50V J	
C113	-----	C CAPACITOR	2700pF 50V K	
C114	-----	C CAPACITOR	2700pF 50V K	
R101	-----	MG RESISTOR	100Ω 1/16W D	
R102	-----	MG RESISTOR	100Ω 1/16W D	
R103	-----	MG RESISTOR	75Ω 1/16W D	
R104	-----	MG RESISTOR	100Ω 1/16W D	
R105	-----	MG RESISTOR	100Ω 1/16W D	
R106	-----	MG RESISTOR	100Ω 1/16W D	
R107	-----	MG RESISTOR	0Ω 1/16W J	
R111	-----	MG RESISTOR	0Ω 1/10W J	
R112	-----	MG RESISTOR	0Ω 1/10W J	
R113	-----	MG RESISTOR	0Ω 1/10W J	
△ BT101	QAB0040-001	LITHIUM BATTERY		
CN806	QGA1002F1-08X	W TO B CONNE	W-B (1-8)	

△ Symbol No.	Part No.	Part Name	Description	Local
CN807	EC720AA-0526A	FFC FPC CONNE		
J101	QNS0147-003	3.5 JACK		
J102	QNS0072-001	HEADPHONE JACK		
J103	QNS0072-001	HEADPHONE JACK		
J104	QNS0212-002	2.5 JACK		
J105	QNA0070-001	DC JACK		
K101	-----	CHIP FERRITE		
K102	-----	CHIP FERRITE		
K103	-----	CHIP FERRITE		
K104	-----	CHIP FERRITE		
K105	-----	CHIP FERRITE		
K106	-----	CHIP FERRITE		
K107	-----	FERRITE BEADS		
K108	-----	FERRITE BEADS		
VA101	-----	VARISTOR		
VA102	-----	VARISTOR		
VA103	-----	VARISTOR		
VA104	-----	VARISTOR		
VA105	-----	VARISTOR		

△ Symbol No.	Part No.	Part Name	Description	Local
R300	-----	MG RESISTOR	100Ω 1/16W D	
R301	-----	MG RESISTOR	100Ω 1/16W D	
R302	-----	MG RESISTOR	100Ω 1/16W D	
R303	-----	MG RESISTOR	100Ω 1/16W D	
R304	-----	MG RESISTOR	56Ω 1/16W D	
R305	-----	MG RESISTOR	100Ω 1/16W D	
R306	-----	MG RESISTOR	100Ω 1/16W D	
R307	-----	MG RESISTOR	56Ω 1/16W D	
R308	-----	MG RESISTOR	220Ω 1/16W D	
R309	-----	MG RESISTOR	220Ω 1/16W D	
R310	-----	MG RESISTOR	220Ω 1/16W D	
R311	-----	MG RESISTOR	220Ω 1/16W D	
R312	-----	MG RESISTOR	220Ω 1/16W D	
R313	-----	MG RESISTOR	220Ω 1/16W D	
R314	-----	MG RESISTOR	2.2kΩ 1/16W D	
R315	-----	MG RESISTOR	2.2kΩ 1/16W D	
R316	-----	MG RESISTOR	2.2kΩ 1/16W D	
R317	-----	MG RESISTOR	3.3kΩ 1/16W D	
R318	-----	MG RESISTOR	2.2kΩ 1/16W D	
R319	-----	MG RESISTOR	2.2kΩ 1/16W D	
R320	-----	MG RESISTOR	2.2kΩ 1/16W D	
R321	-----	MG RESISTOR	2.2kΩ 1/16W D	
R322	-----	MG RESISTOR	56Ω 1/16W D	
R323	-----	MG RESISTOR	3.3kΩ 1/16W D	
R324	-----	MG RESISTOR	100Ω 1/16W D	
R325	-----	MG RESISTOR	100Ω 1/16W D	
R326	-----	MG RESISTOR	100Ω 1/16W D	
R327	-----	MG RESISTOR	1kΩ 1/16W D	
R328	-----	MG RESISTOR	1kΩ 1/16W D	
R329	-----	MG RESISTOR	220Ω 1/16W D	
R330	-----	MG RESISTOR	220Ω 1/16W D	
R331	-----	MG RESISTOR	3.3kΩ 1/16W D	
R332	-----	MG RESISTOR	100Ω 1/16W D	
R333	-----	MG RESISTOR	3.3kΩ 1/16W D	
R334	-----	MG RESISTOR	100Ω 1/16W D	
R335	-----	MG RESISTOR	3.3kΩ 1/16W D	
R336	-----	MG RESISTOR	100Ω 1/16W D	
R337	-----	MG RESISTOR	3.3kΩ 1/16W D	
R338	-----	MG RESISTOR	100Ω 1/16W D	
R339	-----	MG RESISTOR	3.3kΩ 1/16W D	
R340	-----	MG RESISTOR	100Ω 1/16W D	
R341	-----	MG RESISTOR	3.3kΩ 1/16W D	
R342	-----	MG RESISTOR	100Ω 1/16W D	
R343	-----	MG RESISTOR	3.3kΩ 1/16W D	
R344	-----	MG RESISTOR	100Ω 1/16W D	
R345	-----	MG RESISTOR	3.3kΩ 1/16W D	
R346	-----	MG RESISTOR	100Ω 1/16W D	
R347	-----	MG RESISTOR	56Ω 1/16W D	
R348	-----	MG RESISTOR	2.2kΩ 1/16W D	
R349	-----	MG RESISTOR	2.2kΩ 1/16W D	
R350	-----	MG RESISTOR	2.2kΩ 1/16W D	
R351	-----	MG RESISTOR	2.2kΩ 1/16W D	
R352	-----	MG RESISTOR	3.3kΩ 1/16W D	
R353	-----	MG RESISTOR	2.2kΩ 1/16W D	
R354	-----	MG RESISTOR	2.2kΩ 1/16W D	
R355	-----	MG RESISTOR	56Ω 1/16W D	
R357	-----	MG RESISTOR	0Ω 1/16W J	
R359	-----	MG RESISTOR	0Ω 1/16W J	

## TOP CN BOARD ASSEMBLY PARTS LIST

K7P-0071-005

Block No. [0][9]

△ Symbol No.	Part No.	Part Name	Description	Local
PW1	K7P-0071-005	TOP CN BOARD ASSEMBLY		
CN1914	EC710AM-0524A	FFC FPC CONNE		
CN1918	NNZ0175-002	CREDLE CONNECTO		
VA9000	-----	VARISTOR(ZNR)		
VA9001	-----	VARISTOR(ZNR)		
VA9002	-----	VARISTOR(ZNR)		
VA9003	-----	VARISTOR(ZNR)		
VA9004	-----	VARISTOR(ZNR)		

## OPE1 BOARD ASSEMBLY PARTS LIST

K7P-0071-006

Block No. [1][0]

△ Symbol No.	Part No.	Part Name	Description	Local
PW1	K7P-0071-006	OPE1 BOARD ASSEMBLY		
IC300	-----	IC		
IC301	-----	IC		
IC302	-----	IC		
IC303	-----	IC		
Q300	-----	DIGI TRANSISTOR		
Q301	-----	DIGI TRANSISTOR		
Q302	-----	DIGI TRANSISTOR		
Q303	-----	DIGI TRANSISTOR		
D300	-----	LED		
D301	-----	LED		
C307	-----	C CAPACITOR	0.1uF 10V K	
C308	-----	C CAPACITOR	0.1uF 10V K	
C309	-----	C CAPACITOR	0.1uF 10V K	
C310	-----	C CAPACITOR	0.1uF 10V K	

CN1013	QGF0319F2-61X	FPC CONNE	FFC/FPC (1-61)	
CN1023	EC720AA-0506A	FFC FPC CONNE		
CN1024	EC720AA-0514A	FFC FPC CONNE		
CN1025	EC720AA-0508A	FFC FPC CONNE		
CN1026	QGF0310F2-41W	FFC/FPC CONNE	FFC/FPC (1-41)	
CN1030	QGA1001F1-02X	W TO B CONNE	W-B (1-2)	
S300	NSW0198-001X	TACT SWITCH		
S301	NSW0198-001X	TACT SWITCH		
S302	NSW0092-001X	SLIDE SWITCH		
S303	NSW0092-001X	SLIDE SWITCH		
S304	NSW0198-001X	TACT SWITCH		
S305	NSW0198-001X	TACT SWITCH		
S306	NSW0198-001X	TACT SWITCH		
S307	NSW0198-001X	TACT SWITCH		
S308	NSW0322-001X	LEVER SWITCH		

## OPE2 BOARD ASSEMBLY PARTS LIST

**K7P-0071-007**

Block No. [1][1]

△ Symbol No.	Part No.	Part Name	Description	Local
PW1	K7P-0071-007	OPE2 BOARD ASSEMBLY		
Q400	-----	DIGI TRANSISTOR		
Q401	-----	DIGI TRANSISTOR		
R400	-----	MG RESISTOR	560Ω 1/16W D	
R401	-----	MG RESISTOR	560Ω 1/16W D	
R402	-----	MG RESISTOR	100Ω 1/16W D	
R403	-----	MG RESISTOR	100Ω 1/16W D	
R404	-----	MG RESISTOR	100Ω 1/16W D	
R405	-----	MG RESISTOR	100Ω 1/16W D	
R406	-----	MG RESISTOR	100Ω 1/16W D	
R407	-----	MG RESISTOR	100Ω 1/16W D	
R408	-----	MG RESISTOR	100Ω 1/16W D	
R409	-----	MG RESISTOR	100Ω 1/16W D	
CN1124	EC720AA-0514A	FFC FPC CONNE		
CN1129	EC720AA-0506A	FFC FPC CONNE		
S400	NSW0198-001X	TACT SWITCH		
S401	NSW0198-001X	TACT SWITCH		
S402	NSW0198-001X	TACT SWITCH		
S403	NSW0198-001X	TACT SWITCH		
S404	NSW0198-001X	TACT SWITCH		
S405	NSW0198-001X	TACT SWITCH		

## OPE3 BOARD ASSEMBLY PARTS LIST

**K7P-0071-008**

Block No. [1][2]

△ Symbol No.	Part No.	Part Name	Description	Local
PW1	K7P-0071-008	OPE3 BOARD ASSEMBLY		
R500	-----	MG RESISTOR	100Ω 1/16W D	
R501	-----	MG RESISTOR	100Ω 1/16W D	
R502	-----	MG RESISTOR	100Ω 1/16W D	
R503	-----	MG RESISTOR	100Ω 1/16W D	
R504	-----	MG RESISTOR	100Ω 1/16W D	
R505	-----	MG RESISTOR	100Ω 1/16W D	
CN1225	EC720AA-0508A	FFC FPC CONNE		
S500	NSW0198-001X	TACT SWITCH		
S501	NSW0198-001X	TACT SWITCH		
S502	NSW0198-001X	TACT SWITCH		
S503	NSW0198-001X	TACT SWITCH		
S504	NSW0318-001X	SLIDE SWITCH		

## VF SENS BOARD ASSEMBLY PARTS LIST

**K7P-0071-009**

Block No. [1][3]

△ Symbol No.	Part No.	Part Name	Description	Local
PW1	K7P-0071-009	VF SENS BOARD ASSEMBLY		
IC750	-----	IC		
C750	-----	C CAPACITOR	10uF 6.3V M	
C751	-----	C CAPACITOR	0.1uF 16V K	

△ Symbol No.	Part No.	Part Name	Description	Local
CN1822	EC720AA-0506A	FFC FPC CONNE		
K750	-----	FERRITE BEADS		

## REAR1 BOARD ASSEMBLY PARTS LIST

**K7P-0071-00A(GY-HM200U,GY-HM200E)**

Block No. [1][4]

△ Symbol No.	Part No.	Part Name	Description	Local
PW1	K7P-0071-00A	REAR1 BOARD ASSEMBLY		
D1	-----	ZENER DIODE		
D2	-----	ZENER DIODE		
D3	-----	ZENER DIODE		
D4	-----	ZENER DIODE		
D5	-----	ZENER DIODE		
CN1405	QGA1002F1-11X	W TO B CONNE	W-B (1-11)	
J1	QNA0062-001X	EXT BATT JACK		

## REAR2 BOARD ASSEMBLY PARTS LIST

**K7P-0071-11B(GY-HM170U,GY-HM170E)**

Block No. [1][5]

△ Symbol No.	Part No.	Part Name	Description	Local
PW1	K7P-0071-11B	REAR2 BOARD ASSEMBLY		
D51	-----	ZENER DIODE		
D52	-----	ZENER DIODE		
D53	-----	ZENER DIODE		
C51	-----	C CAPACITOR	0.1uF 50V K	
C52	-----	C CAPACITOR	0.1uF 10V K	
CN1505	QGA1002F1-11X	W TO B CONNE	W-B (1-11)	
J51	LY35060-001B	BATT.TERM.UNIT		

## XLR BOARD ASSEMBLY PARTS LIST

**K7P-0073-001(GY-HM200U,GY-HM200E)**

Block No. [1][6]

△ Symbol No.	Part No.	Part Name	Description	Local
PW1	K7P-0073-001	XLR BOARD ASSEMBLY		
IC9400	-----	IC		
IC9401	-----	IC		
IC9402	-----	IC		
IC9403	-----	IC		
Q9400	-----	MOS FET		
Q9401	-----	MOS FET		
Q9402	-----	MOS FET		
Q9403	-----	MOS FET		
Q9404	-----	SV-TRANSISTOR		
Q9405	-----	SV-TRANSISTOR		
Q9406	-----	TRANSISTOR		
Q9407	-----	TRANSISTOR		
Q9408	-----	SV-TRANSISTOR		
Q9409	-----	SV-TRANSISTOR		

△ Symbol No.	Part No.	Part Name	Description	Local	△ Symbol No.	Part No.	Part Name	Description	Local
Q9410	-----	DIGI TRANSISTOR			R9429	-----	MG RESISTOR	10kΩ 1/16W J	
Q9411	-----	DIGI TRANSISTOR			R9430	-----	MG RESISTOR	10kΩ 1/16W J	
Q9412	-----	MOS FET			R9431	-----	MG RESISTOR	10kΩ 1/16W J	
Q9413	-----	MOS FET			R9432	-----	MG RESISTOR	10kΩ 1/16W J	
Q9414	-----	MOS FET			R9433	-----	MG RESISTOR	10kΩ 1/16W J	
Q9415	-----	MOS FET			R9434	-----	MG RESISTOR	10kΩ 1/16W J	
Q9416	-----	MOS FET			R9435	-----	MG RESISTOR	10kΩ 1/16W J	
Q9417	-----	MOS FET			R9436	-----	MG RESISTOR	100kΩ 1/16W J	
Q9418	-----	MOS FET			R9437	-----	MG RESISTOR	100kΩ 1/16W J	
Q9419	-----	MOS FET			R9438	-----	MG RESISTOR	220Ω 1/16W D	
Q9420	-----	MOS FET			R9439	-----	MG RESISTOR	220Ω 1/16W D	
Q9421	-----	MOS FET			R9440	-----	MG RESISTOR	220Ω 1/16W D	
D9400	-----	DIODE ARRAY			R9441	-----	MG RESISTOR	220Ω 1/16W D	
D9401	-----	DIODE ARRAY			R9442	-----	MG RESISTOR	33kΩ 1/16W D	
D9402	-----	DIODE ARRAY			R9443	-----	MG RESISTOR	33kΩ 1/16W D	
D9403	-----	DIODE ARRAY			R9444	-----	MG RESISTOR	6.8kΩ 1/16W D	
C9400	-----	C CAPACITOR	100pF 50V J		R9445	-----	MG RESISTOR	6.8kΩ 1/16W D	
C9401	-----	C CAPACITOR	100pF 50V J		R9446	-----	MG RESISTOR	680kΩ 1/16W J	
C9402	-----	C CAPACITOR	100pF 50V J		R9447	-----	MG RESISTOR	680kΩ 1/16W J	
C9403	-----	C CAPACITOR	100pF 50V J		R9448	-----	MG RESISTOR	33kΩ 1/16W D	
C9404	-----	C CAPACITOR	100pF 50V J		R9449	-----	MG RESISTOR	33kΩ 1/16W D	
C9405	-----	C CAPACITOR	100pF 50V J		R9450	-----	MG RESISTOR	100kΩ 1/16W J	
C9406	-----	C CAPACITOR	100pF 50V J		R9451	-----	MG RESISTOR	100kΩ 1/16W J	
C9407	-----	C CAPACITOR	100pF 50V J		R9452	-----	MG RESISTOR	47kΩ 1/16W J	
C9408	-----	C CAPACITOR	1000pF 50V K		R9453	-----	MG RESISTOR	47kΩ 1/16W J	
C9409	-----	C CAPACITOR	1000pF 50V K		R9454	-----	MG RESISTOR	47kΩ 1/16W D	
C9410	-----	E CAPACITOR			R9455	-----	MG RESISTOR	47kΩ 1/16W D	
C9411	-----	E CAPACITOR			R9456	-----	MG RESISTOR	270Ω 1/16W D	
C9412	-----	E CAPACITOR			R9457	-----	MG RESISTOR	270Ω 1/16W D	
C9413	-----	E CAPACITOR			R9458	-----	MG RESISTOR	270Ω 1/16W D	
C9414	-----	C CAPACITOR	33pF 50V J		R9459	-----	MG RESISTOR	270Ω 1/16W D	
C9415	-----	C CAPACITOR	33pF 50V J		R9460	-----	MG RESISTOR	3.3kΩ 1/16W D	
C9416	-----	C CAPACITOR	330pF 50V J		R9461	-----	MG RESISTOR	3.3kΩ 1/16W D	
C9417	-----	C CAPACITOR	330pF 50V J		R9462	-----	MG RESISTOR	3.3kΩ 1/16W D	
C9418	-----	C CAPACITOR	33pF 50V J		R9463	-----	MG RESISTOR	3.3kΩ 1/16W D	
C9419	-----	C CAPACITOR	33pF 50V J		R9464	-----	MG RESISTOR	22Ω 1/16W D	
C9420	-----	C CAPACITOR	1uF 10V K		R9465	-----	MG RESISTOR	22Ω 1/16W D	
C9421	-----	C CAPACITOR	1uF 10V K		R9466	-----	MG RESISTOR	22Ω 1/16W D	
C9422	-----	C CAPACITOR	1uF 10V K		R9467	-----	MG RESISTOR	22Ω 1/16W D	
C9423	-----	C CAPACITOR	1uF 10V K		R9468	-----	MG RESISTOR	22Ω 1/16W D	
C9424	-----	C CAPACITOR	1uF 10V K		R9469	-----	MG RESISTOR	22Ω 1/16W D	
C9425	-----	C CAPACITOR	1uF 10V K		R9470	-----	MG RESISTOR	22Ω 1/16W D	
C9426	-----	C CAPACITOR	1uF 10V K		R9471	-----	MG RESISTOR	22Ω 1/16W D	
C9427	-----	C CAPACITOR	1uF 10V K		R9472	-----	MG RESISTOR	100kΩ 1/16W J	
C9428	-----	C CAPACITOR	4.7uF 10V K		R9473	-----	MG RESISTOR	100kΩ 1/16W J	
C9429	-----	C CAPACITOR	4.7uF 10V K		R9474	-----	MG RESISTOR	47kΩ 1/16W J	
R9400	-----	MG RESISTOR	0Ω 1/16W J		R9475	-----	MG RESISTOR	47kΩ 1/16W J	
R9401	-----	MG RESISTOR	0Ω 1/16W J		R9476	-----	MG RESISTOR	47kΩ 1/16W J	
R9402	-----	MG RESISTOR	220kΩ 1/16W J		R9477	-----	MG RESISTOR	47kΩ 1/16W J	
R9403	-----	MG RESISTOR	220kΩ 1/16W J		R9478	-----	MG RESISTOR	100kΩ 1/16W J	
R9404	-----	CMF RESISTOR	3.3kΩ		R9479	-----	MG RESISTOR	100kΩ 1/16W J	
R9405	-----	CMF RESISTOR	3.3kΩ		R9480	-----	MG RESISTOR	100kΩ 1/16W J	
R9406	-----	CMF RESISTOR	3.3kΩ		R9481	-----	MG RESISTOR	100kΩ 1/16W J	
R9407	-----	CMF RESISTOR	3.3kΩ		R9482	-----	MG RESISTOR	47kΩ 1/16W J	
R9408	-----	CMF RESISTOR	3.3kΩ		R9483	-----	MG RESISTOR	47kΩ 1/16W J	
R9409	-----	CMF RESISTOR	3.3kΩ		R9484	-----	MG RESISTOR	100kΩ 1/16W J	
R9410	-----	CMF RESISTOR	3.3kΩ		R9485	-----	MG RESISTOR	100kΩ 1/16W J	
R9411	-----	CMF RESISTOR	3.3kΩ		R9486	-----	MG RESISTOR	47kΩ 1/16W J	
R9412	-----	MG RESISTOR	1.1kΩ 1/16W D		R9487	-----	MG RESISTOR	47kΩ 1/16W J	
R9413	-----	MG RESISTOR	1.1kΩ 1/16W D		R9488	-----	MG RESISTOR	22Ω 1/16W D	
R9414	-----	MG RESISTOR	27kΩ 1/16W D		R9489	-----	MG RESISTOR	22Ω 1/16W D	
R9415	-----	MG RESISTOR	27kΩ 1/16W D		R9490	-----	MG RESISTOR	22Ω 1/16W D	
R9416	-----	MG RESISTOR	27kΩ 1/16W D		R9491	-----	MG RESISTOR	22Ω 1/16W D	
R9417	-----	MG RESISTOR	1.1kΩ 1/16W D		CN1619	QGA1002F1-08X	W TO B CONNE	W-B (1-8)	
R9418	-----	MG RESISTOR	27kΩ 1/16W D		CN1621	EC720AA-0506A	FFC FPC CONNE		
R9419	-----	MG RESISTOR	1.1kΩ 1/16W D		J9400	QNZ1089-001	CIR CONNECTOR		
R9420	-----	MG RESISTOR	330Ω 1/16W D		J9401	QNZ1089-001	CIR CONNECTOR		
R9421	-----	MG RESISTOR	330Ω 1/16W D		K9400	-----	FERRITE BEADS		
R9422	-----	MG RESISTOR	330Ω 1/16W D		K9401	-----	FERRITE BEADS		
R9423	-----	MG RESISTOR	330Ω 1/16W D		K9402	-----	FERRITE BEADS		
R9424	-----	MG RESISTOR	220kΩ 1/16W J		K9403	-----	FERRITE BEADS		
R9425	-----	MG RESISTOR	220kΩ 1/16W J						
R9426	-----	MG RESISTOR	220kΩ 1/16W J						
R9427	-----	MG RESISTOR	220kΩ 1/16W J						
R9428	-----	MG RESISTOR	10kΩ 1/16W J						

# AUDIO SW BOARD ASSEMBLY PARTS LIST

**K7P-0073-002(GY-HM200U,GY-HM200E)**

Block No. [1][7]

△ Symbol No.	Part No.	Part Name	Description	Local
PW1	K7P-0073-002	AUDIO SW BOARD ASSEMBLY		
IC9300	-----	IC		
IC9301	-----	IC		
IC9302	-----	IC		
IC9303	-----	IC		
IC9304	-----	IC		
IC9305	-----	IC		
IC9306	-----	IC		
Q9300	-----	MOS FET		
Q9301	-----	TRANSISTOR		
Q9302	-----	TRANSISTOR		
Q9303	-----	TRANSISTOR		
Q9304	-----	DIGI TRANSISTOR		
Q9305	-----	TRANSISTOR		
Q9306	-----	TRANSISTOR		
Q9307	-----	DIGI TRANSISTOR		
Q9308	-----	DIGI TRANSISTOR		
D9300	-----	DIODE		
C9300	-----	C CAPACITOR	0.01uF 50V K	
C9301	-----	C CAPACITOR	0.1uF 16V K	
C9302	-----	C CAPACITOR	100pF 50V J	
C9304	-----	C CAPACITOR	4.7uF 10V K	
C9305	-----	C CAPACITOR	1uF	
C9306	-----	C CAPACITOR	1uF	
C9307	-----	C CAPACITOR	2.2uF 100V K	
C9308	-----	C CAPACITOR	0.1uF 10V K	
C9309	-----	C CAPACITOR	1uF 10V K	
C9310	-----	C CAPACITOR	10uF 6.3V M	
C9311	-----	C CAPACITOR	1uF 6.3V K	
C9312	-----	C CAPACITOR	1uF 6.3V K	
C9313	-----	C CAPACITOR	1uF 16V K	
C9314	-----	C CAPACITOR	2200pF 50V K	
C9315	-----	C CAPACITOR	1uF 10V K	
C9316	-----	C CAPACITOR	0.01uF 16V K	
C9317	-----	C CAPACITOR	100pF 50V J	
C9318	-----	C CAPACITOR	100pF 50V J	
R9300	-----	MG RESISTOR	33kΩ 1/16W D	
R9301	-----	MG RESISTOR	1.2kΩ 1/16W D	
R9302	-----	MG RESISTOR	0Ω 1/16W J	
R9303	-----	MG RESISTOR	0Ω 1/16W J	
R9304	-----	MG RESISTOR	22kΩ 1/16W D	
R9305	-----	MG RESISTOR	33kΩ 1/16W D	
R9306	-----	MG RESISTOR	120kΩ 1/16W D	
R9307	-----	MG RESISTOR	12kΩ 1/16W D	
R9308	-----	MG RESISTOR	330kΩ 1/16W D	
R9309	-----	MG RESISTOR	100kΩ 1/16W D	
R9310	-----	MG RESISTOR	220Ω 1/16W D	
R9311	-----	MG RESISTOR	100Ω 1/16W D	
R9312	-----	MG RESISTOR	47kΩ 1/16W D	
R9313	-----	MG RESISTOR	270kΩ 1/16W D	
R9314	-----	MG RESISTOR	270kΩ 1/16W D	
R9315	-----	MG RESISTOR	270kΩ 1/16W D	
R9316	-----	MG RESISTOR	270kΩ 1/16W D	
R9319	-----	MG RESISTOR	0Ω 1/16W J	
R9320	-----	MG RESISTOR	0Ω 1/16W J	
R9321	-----	MG RESISTOR	220Ω 1/16W D	
R9322	-----	MG RESISTOR	220Ω 1/16W D	
R9323	-----	MG RESISTOR	220Ω 1/16W D	
R9324	-----	MG RESISTOR	220Ω 1/16W D	
R9325	-----	MG RESISTOR	220Ω 1/16W D	
R9326	-----	MG RESISTOR	100Ω 1/16W D	
R9327	-----	MG RESISTOR	100Ω 1/16W D	
R9328	-----	MG RESISTOR	100Ω 1/16W D	
R9329	-----	MG RESISTOR	100Ω 1/16W D	
R9330	-----	MG RESISTOR	100Ω 1/16W D	
R9331	-----	MG RESISTOR	100Ω 1/16W D	
R9332	-----	MG RESISTOR	3.3kΩ 1/16W D	

△ Symbol No.	Part No.	Part Name	Description	Local
R9333	-----	MG RESISTOR	3.3kΩ 1/16W D	
R9334	-----	MG RESISTOR	3.3kΩ 1/16W D	
R9335	-----	MG RESISTOR	3.3kΩ 1/16W D	
R9336	-----	MG RESISTOR	3.3kΩ 1/16W D	
R9337	-----	MG RESISTOR	3.3kΩ 1/16W D	
R9338	-----	MG RESISTOR	3.3kΩ 1/16W D	
R9339	-----	MG RESISTOR	3.3kΩ 1/16W D	
R9340	-----	MG RESISTOR	100Ω 1/16W D	
R9341	-----	MG RESISTOR	100Ω 1/16W D	
R9342	-----	MG RESISTOR	100Ω 1/16W D	
R9343	-----	MG RESISTOR	100Ω 1/16W D	
R9344	-----	MG RESISTOR	100Ω 1/16W D	
R9345	-----	MG RESISTOR	0Ω 1/16W J	
R9346	-----	MG RESISTOR	0Ω 1/16W J	
R9347	-----	MG RESISTOR	100Ω 1/16W D	
R9348	-----	MG RESISTOR	2.2kΩ 1/16W D	
R9349	-----	MG RESISTOR	2.2kΩ 1/16W D	
R9350	-----	MG RESISTOR	2.2kΩ 1/16W D	
R9351	-----	MG RESISTOR	3.3kΩ 1/16W D	
R9352	-----	MG RESISTOR	2.2kΩ 1/16W D	
R9353	-----	MG RESISTOR	2.2kΩ 1/16W D	
R9354	-----	MG RESISTOR	47kΩ 1/16W D	
R9355	-----	MG RESISTOR	47kΩ 1/16W D	
R9356	-----	MG RESISTOR	47kΩ 1/16W D	
VR9300	-----	V RESISTOR		
VR9301	-----	V RESISTOR		
L9300	-----	P COIL	100uH M	
CN1720	QGA1002C1-11X	W TO B CONNE	W-B (1-11)	
CN1721	EC710AM-0506A	FFC FPC CONNE		
CN1722	EC710AM-0510A	FFC FPC CONNE		
K9300	-----	CHIP FERRITE		
K9301	-----	CHIP FERRITE		
S9300	NSW0079-001X	SLIDE SWITCH		
S9301	NSW0079-001X	SLIDE SWITCH		
S9302	NSW0079-001X	SLIDE SWITCH		
S9303	NSW0318-001X	SLIDE SWITCH		
S9304	NSW0318-001X	SLIDE SWITCH		
S9305	NSW0318-001X	SLIDE SWITCH		

# ZOOM BOARD ASSEMBLY PARTS LIST

**K7P-0073-003(GY-HM200U,GY-HM200E)**

Block No. [1][8]

△ Symbol No.	Part No.	Part Name	Description	Local
PW1	K7P-0073-003	ZOOM BOARD ASSEMBLY		
D9200	-----	LED		
D9201	-----	LED		
R9200	-----	MG RESISTOR	100Ω 1/16W D	
R9201	-----	MG RESISTOR	100Ω 1/16W D	
R9202	-----	MG RESISTOR	560Ω 1/16W D	
R9203	-----	MG RESISTOR	100Ω 1/16W D	
R9204	-----	MG RESISTOR	100Ω 1/16W D	
R9205	-----	MG RESISTOR	100Ω 1/16W D	
R9206	-----	MG RESISTOR	560Ω 1/16W D	
CN1822	EC720AA-0510A	FFC FPC CONNE		
S9200	NSW0070-002X	SLIDE SWITCH		
S9201	S7A-0006-00	TACTILE PUSH SW		
S9202	S7A-0006-00	TACTILE PUSH SW		
S9203	S7A-0006-00	TACTILE PUSH SW		

## USB BOARD ASSEMBLY PARTS LIST

K7P-0073-004(GY-HM200U,GY-HM200E)

Block No. [1][9]

△ Symbol No.	Part No.	Part Name	Description	Local
PW1	K7P-0073-004	USB BOARD ASSEMBLY		
C701	-----	C CAPACITOR	47uF 10V K	
CN908	QGA2013F1-05X	W TO B CONNE	W-B (1-5)	
J701	QNZ0809-001	USB CONNECTOR		

## HANDLE CN BOARD ASSEMBLY PARTS LIST

K7P-0073-005(GY-HM200U,GY-HM200E)

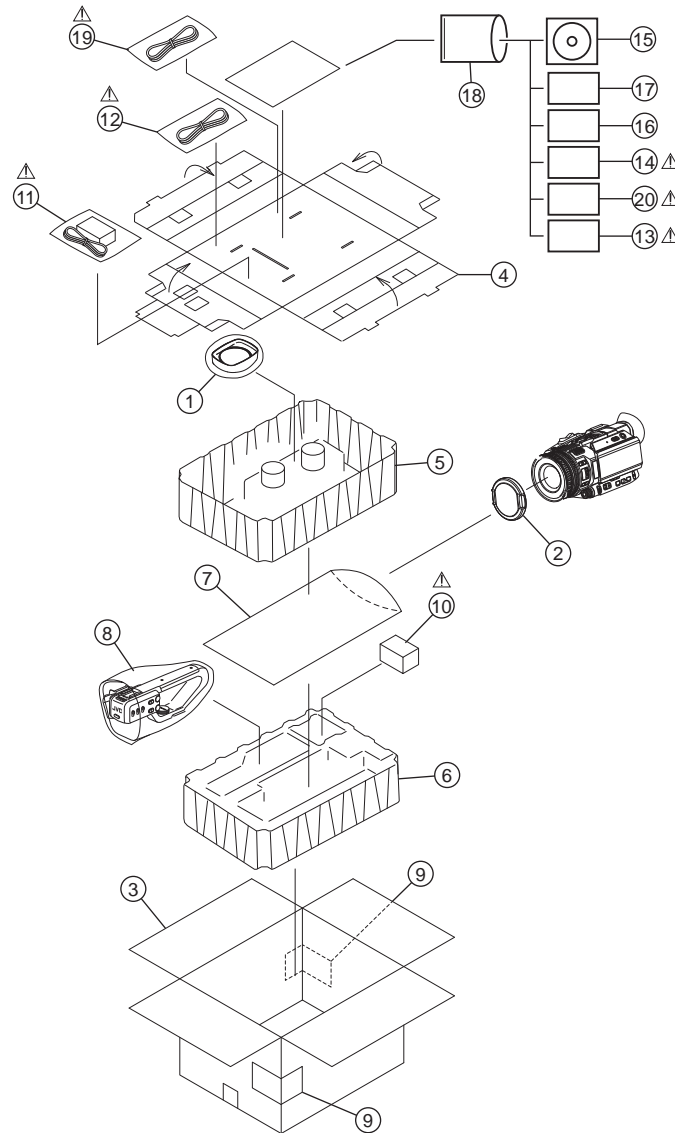
Block No. [2][0]

△ Symbol No.	Part No.	Part Name	Description	Local
PW1	K7P-0073-005	HANDLE CN BOARD ASSEMBLY		
CN2018	NNZ0191-001X	CREDLE CONNECTOR		
CN2019	QGA1002F1-08X	W TO B CONNE	W-B (1-8)	
CN2020	QGA1002C1-11X	W TO B CONNE	W-B (1-11)	
VA9100	-----	VARISTOR(ZNR)		
VA9101	-----	VARISTOR(ZNR)		
VA9102	-----	VARISTOR(ZNR)		
VA9103	-----	VARISTOR(ZNR)		
VA9104	-----	VARISTOR(ZNR)		



# Packing materials and accessories parts list

Block No.M2MM



## Packing and accessories

Block No. [M][2][M][M]

△ Symbol No.	Part No.	Part Name	Description	Local
1	F0G-0077-10	HOOD COVER	HOOD ASSY	
2	F0G-0044-10	LENS CAP	LENS CAP AY	
3	-----	ITEM CARTON	PK CASE Outer	
4	-----	ITEM CARTON	PK CASE inner	
5	-----	CUSHION(U)		
6	-----	CUSHION(L)		
7	-----	PLASTIC BAG	For SET	
8	-----	PLASTIC BAG	For HANDLE	
9	-----	ROLL LBL SHEET	(x2)	HM200U, HM200E
△ 10	LY35458-009A	BATTERY PACK		HM170U
△ 10	LY35458-010A	BATTERY PACK		HM170E
△ 10	QAB0089-002	BATTERY PACK		HM200U, HM200E
△ 11	QAL1422-005	AC P ADAPTOR		
△ 12	QMPE430-190-K4	POWER CORD(US/CA)	1.9m BLACK	HM170U, HM200U
△ 12	QMPL450-100-JR	POWER CORD(EU)	1m BLACK	HM170E, HM200E
△ 13	-----	SEPARATE VOLUME		
△ 14	-----	INSTRUCTIONS		
15	T9D-0015-00	CD-ROM		
16	-----	WEEE SHEET		HM170E, HM200E
17	-----	WARRANTY CARD		HM170U, HM200U
18	-----	PLASTIC BAG	For INST	
△ 19	QMPP210-190-JR	POWER CORD(EK)	1.9m BLACK	HM170E, HM200E
△ 20	-----	EAC SHEET		HM170E, HM200E